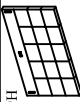




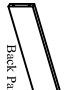




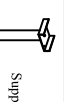







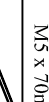
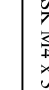
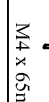
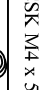
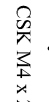



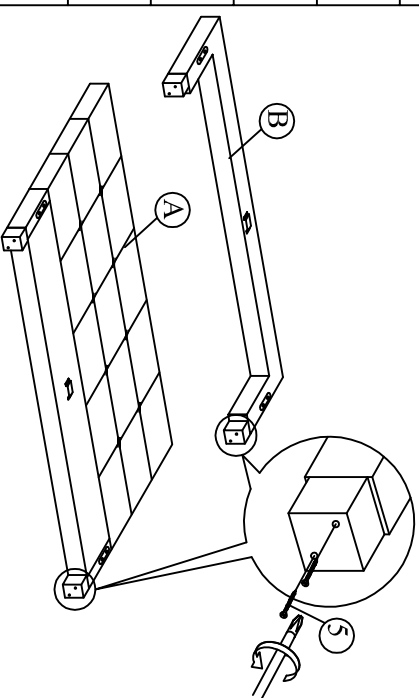


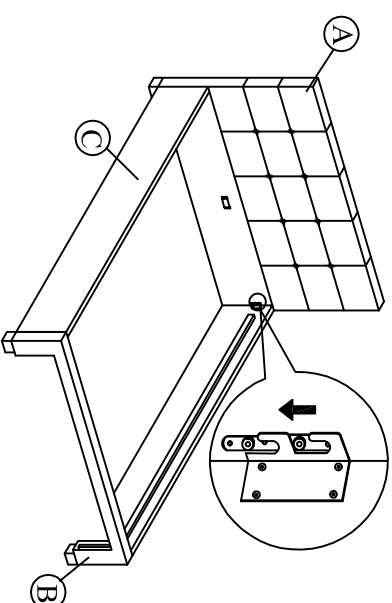
A		1 pc	I		28 pcs
B		1 pc	J		1 pc
C		2 pcs	K		1 pc
D		4 pcs	L		2 pcs
E		1 pc	M		1 pc
F		2 pcs	N		1 pc
G		28 pcs			
H		14 pcs			

hardware for bed (1)		hardware for panel (2)			
1		2 pcs	9		24 pcs
2		1 pc	10		18 pcs
3		1 pc	11		8 pcs
4		2 pcs	12		6 pcs
5		8 pcs			
6		4 pcs			
7		3 pcs			
8		2 pcs			

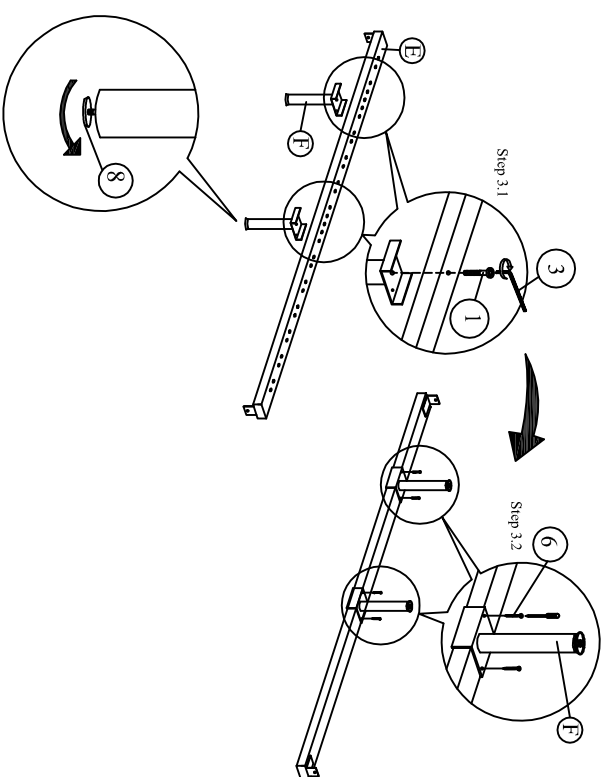
Step 1: Tighten the legs (D) to both headboard (A) and footboard (B) as shown.



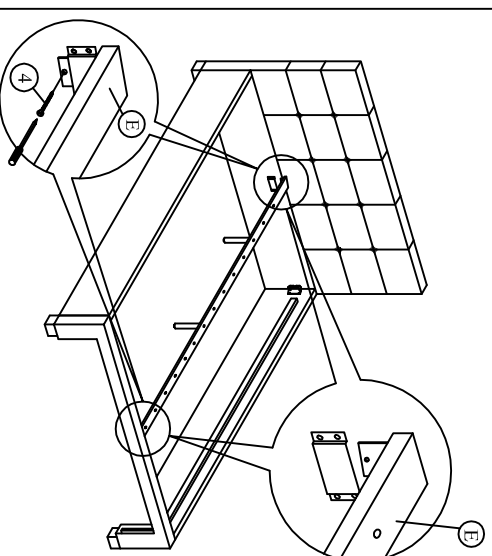
Step 2: Attach side rail (C) to headboard (A) and footboard (B) by pushing the bracket down to fit it.



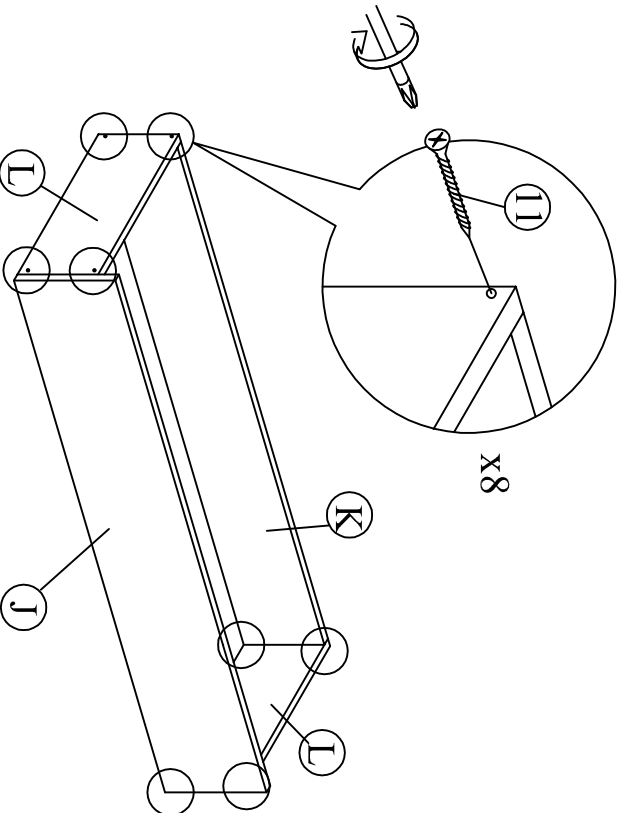
Step 3: Attach the support legs (F) to the center rail (E) of the bed as shown.



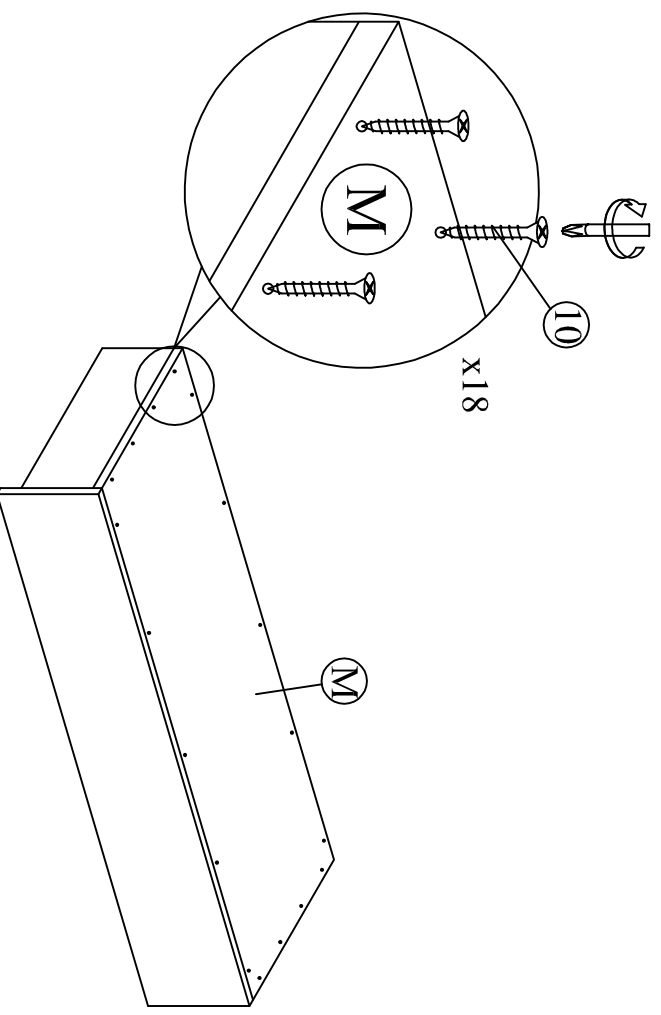
Step 4: Slide the center rail (E) to the headboard (A) and footboard (B). Tighten screws (4) using screw driver (not included) to the headboard (A) and footboard (B).



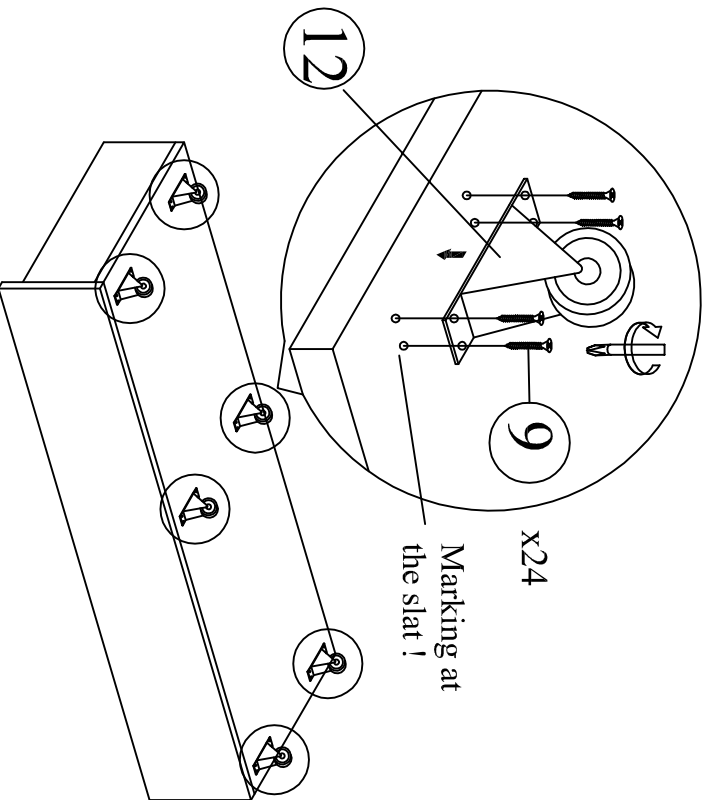
Step 5: Tighten the side panel (L) to the front panel (J) and back panel (K) with screws (11) using screw driver (not included).



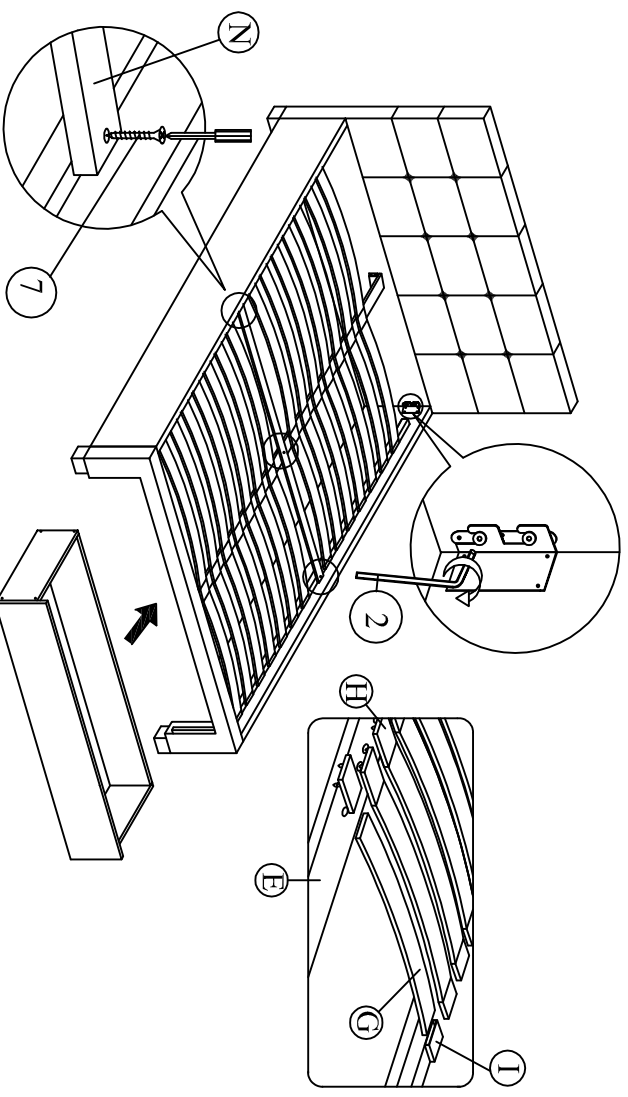
Step 6: Tighten the back panel (M) with screws (10) using screw driver (not included).



Step 7: Tighten the roller (12) with screws (9) using screw driver (not included).

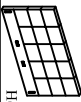




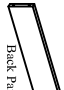




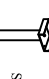





Step 8: Affix the Stiffener Slat (N) to the side rail support wood and the center rail (E) Tighten all the 4 corner, follow by a assembly of the slat holders with LVL slats as shown.





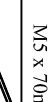
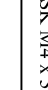
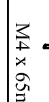

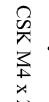


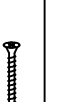


MODEL: CF 8774 (6')

ASSEMBLY INSTRUCTION

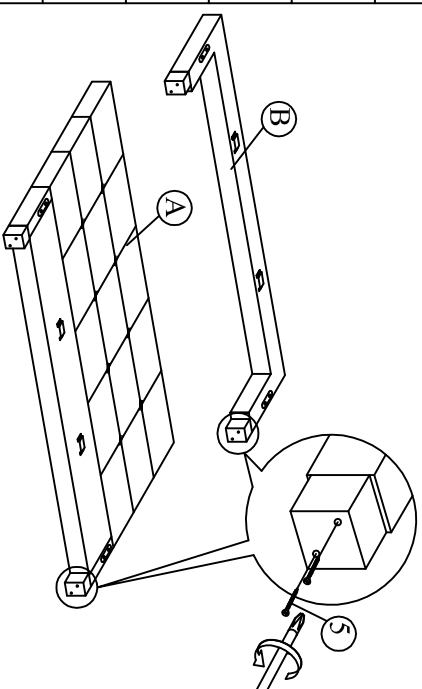
A		1 pc	I		28 pcs
B		1 pc	J		1 pc
C		2 pcs	K		1 pc
D		4 pcs	L		2 pcs
E		2 pcs	M		1 pc
F		4 pcs	N		1 pc
G		42 pcs			
H		28 pcs			

hardware for bed (1)

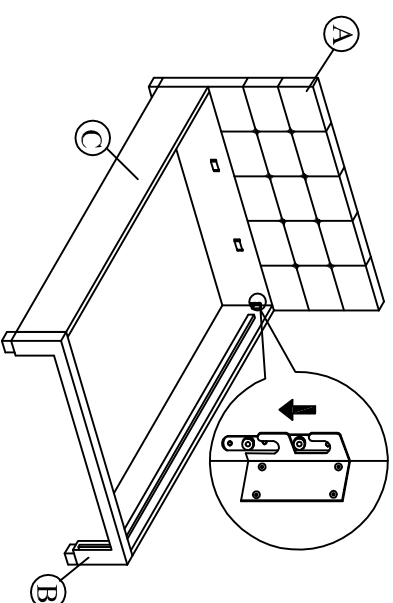
1		2 pcs	9		24 pcs
2		1 pc	10		22 pcs
3		1 pc	11		8 pcs
4		2 pcs	12		6 pcs
5		8 pcs			
6		4 pcs			
7		4 pcs			
8		2 pcs			

hardware for panel (2)

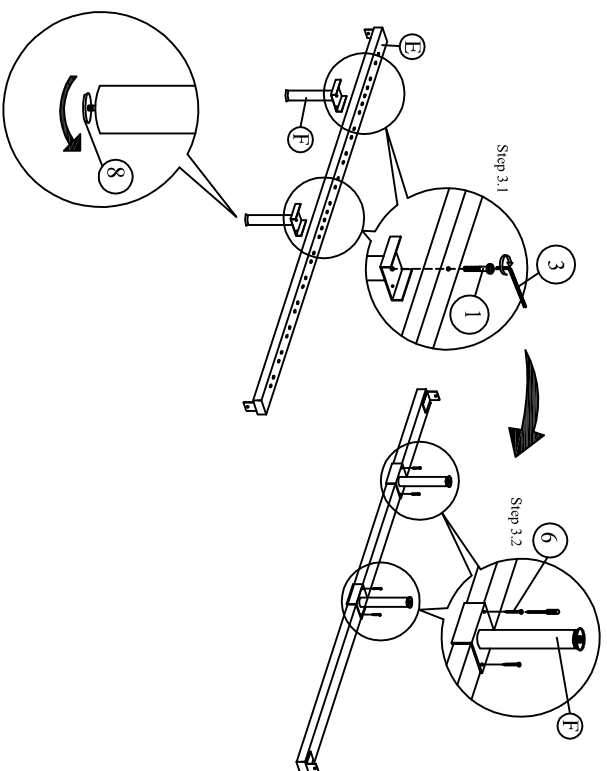
Step 1: Tighten the legs (D) to both headboard (A) and footboard (B) as shown.



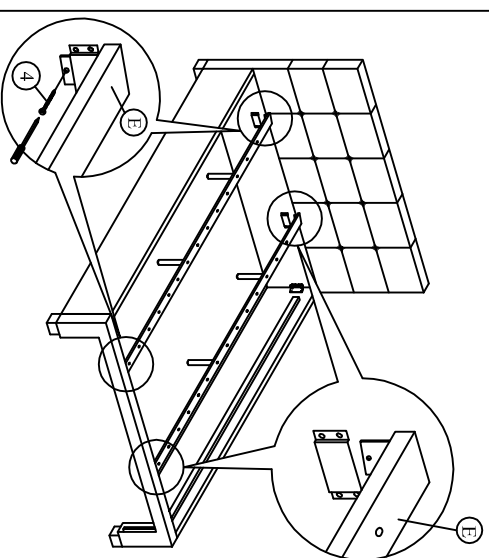
Step 2: Attach side rail (C) to headboard (A) and footboard (B) by pushing the bracket down to fit it.



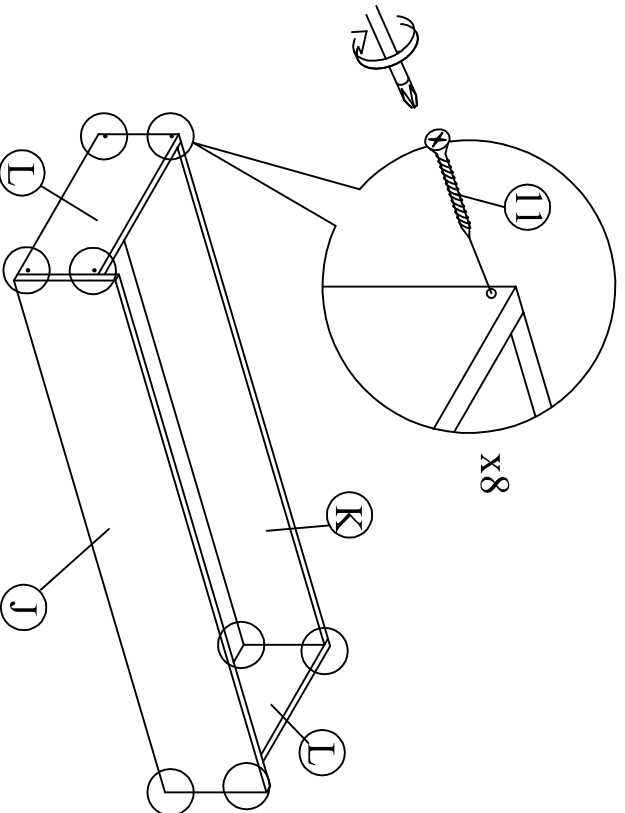
Step 3: Attach the support legs (F) to the center rail (E) of the bed as shown.



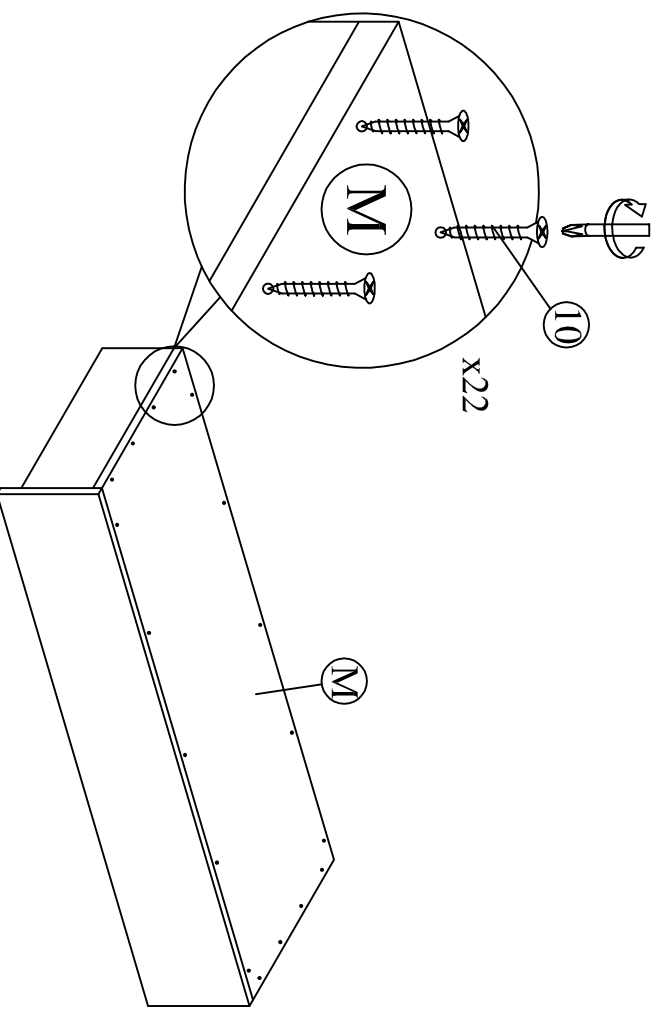
Step 4: Slide the center rail (E) to the headboard (A) and footboard (B). Tighten screws (4) using screw driver (not included) to the headboard (A) and footboard (B).



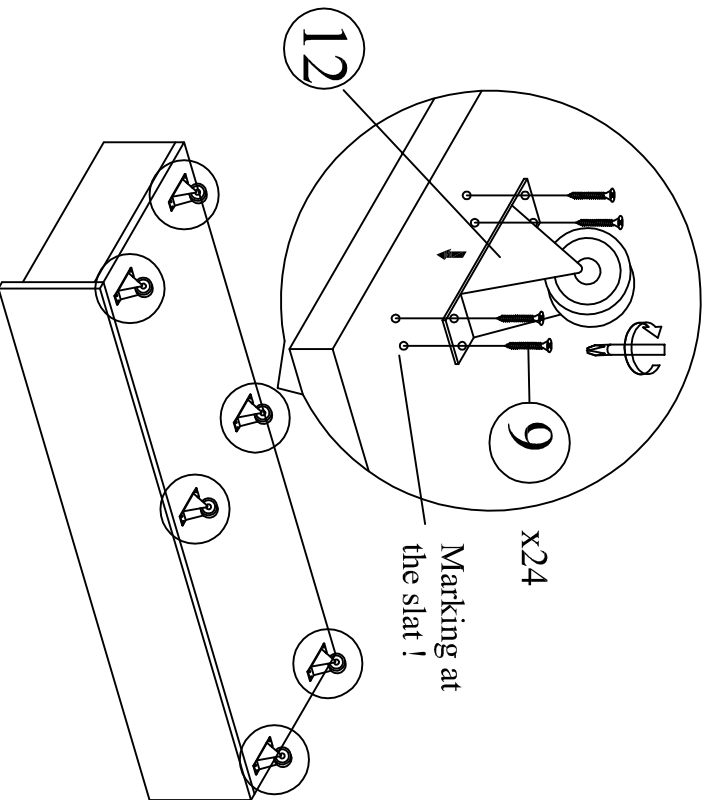
Step 5: Tighten the side panel (L) to the front panel (J) and back panel (K) with screws (11) using screw driver (not included).



Step 6: Tighten the back panel (M) with screws (10) using screw driver (not included).



Step 7: Tighten the roller (12) with screws (9) using screw driver (not included).



Step 8: Affix the Stiffener Slat (N) to the side rail support wood and the center rail (E) Tighten all the 4 corner, follow by a assembly of the slat holders with LVL slats as shown.

