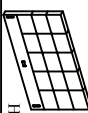








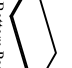
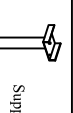


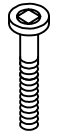


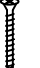

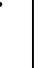
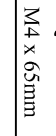

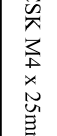
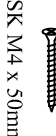
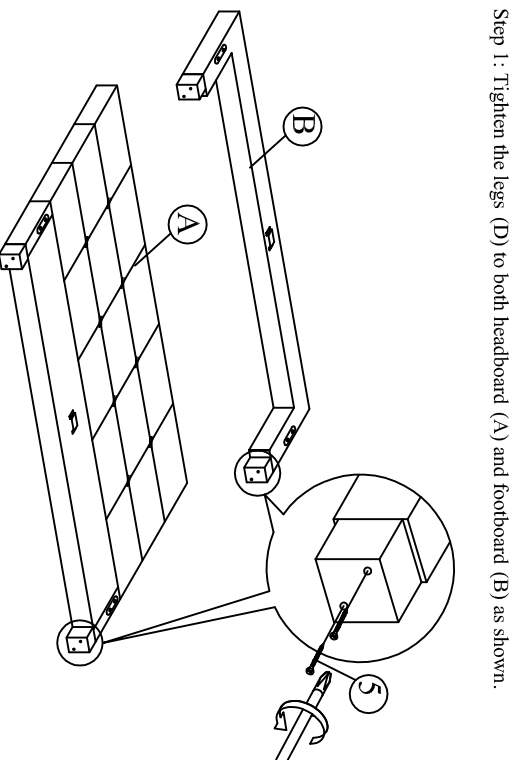
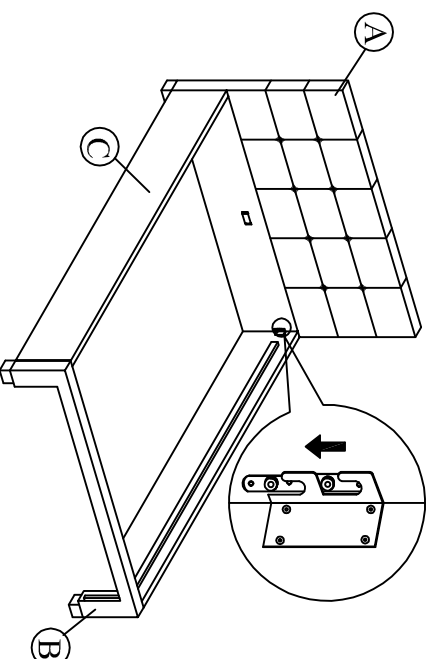


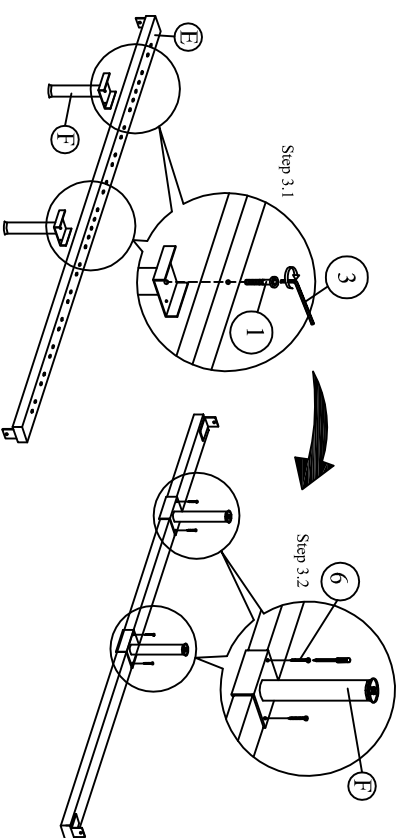
A		1 pc	I		28 pcs
B		1 pc	J		1 pc
C		2 pcs	K		1 pc
D		4 pcs	L		2 pcs
E		1 pc	M		1 pc
F		2 pcs			
G		28 pcs			
H		14 pcs			
hardware for bed (1)			hardware for panel (2)		
1		2 pcs	7		24 pcs
2		1 pc	8		18 pcs
3		1 pc	9		8 pcs
4		2 pcs	10		6 pcs
5		8 pcs			
6		4 pcs			



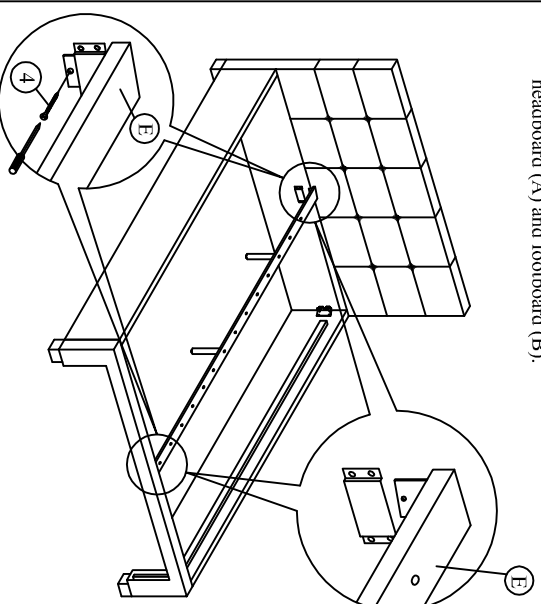
Step 2: Attach side rail (C) to headboard (A) and footboard (B) by pushing the bracket down to fit it.



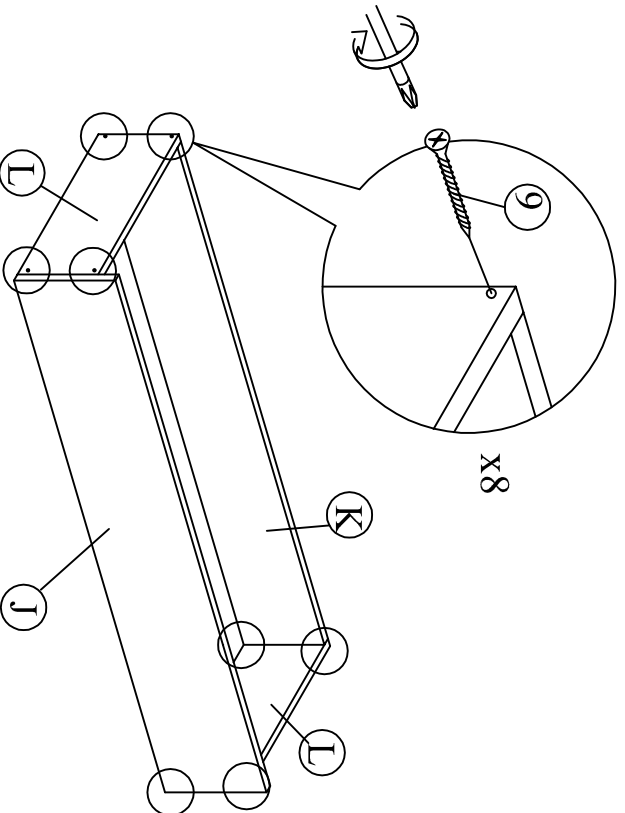
Step 3: Attach the support legs (F) to the center rail (E) of the bed as shown.



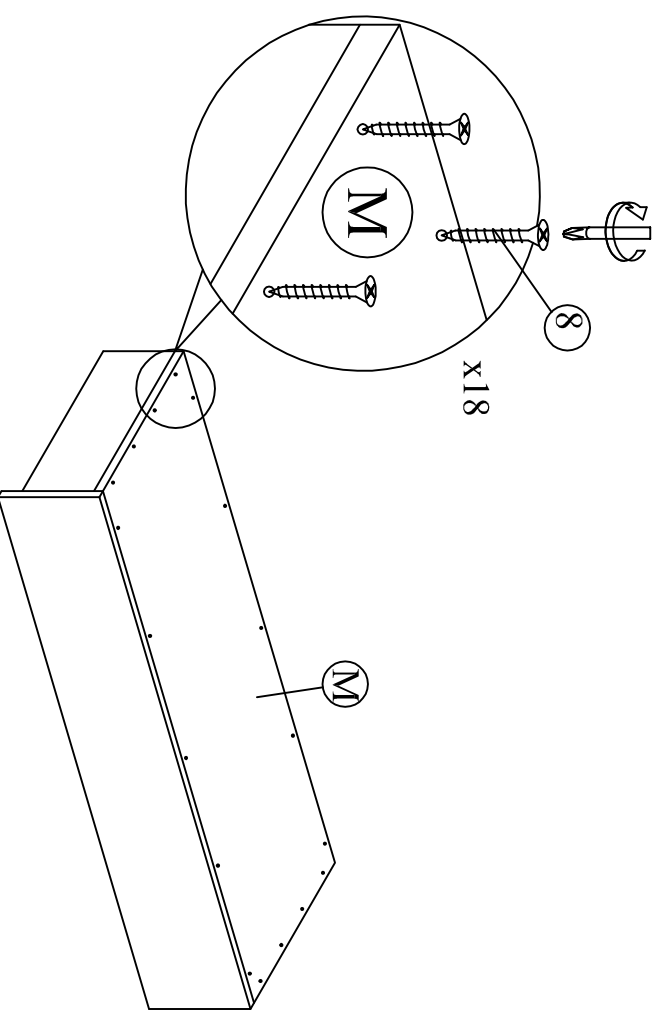
Step 4: Slide the center rail (E) to the headboard (A) and footboard (B). Tighten screws (4) using screw driver (not included) to the headboard (A) and footboard (B).



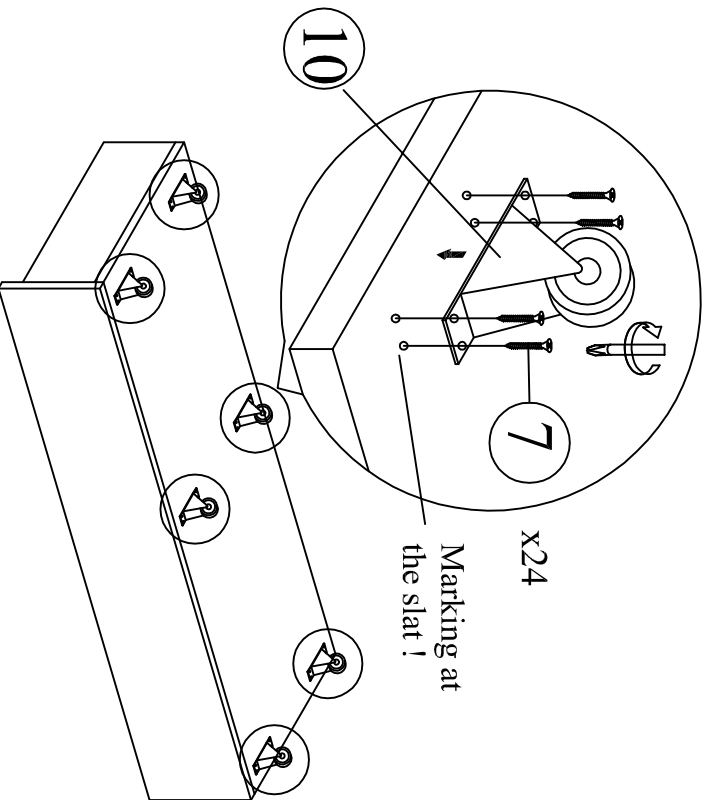
Step 5: Tighten the side panel (L) to the front panel (J) and back panel (K) with screws (9) using screw driver (not included).



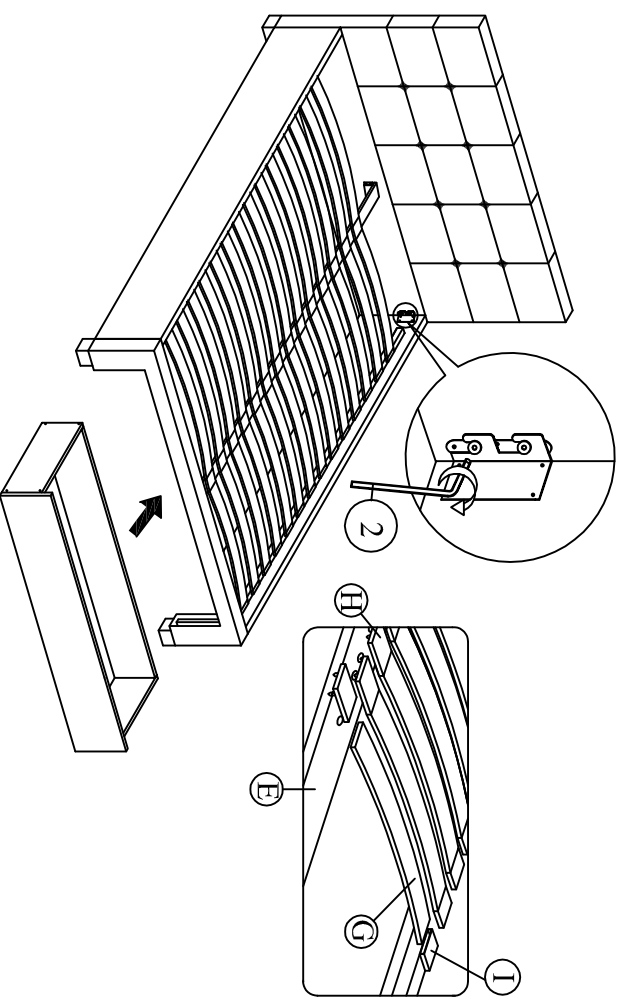
Step 6: Tighten the back panel (M) with screws (8) using screw driver (not included).



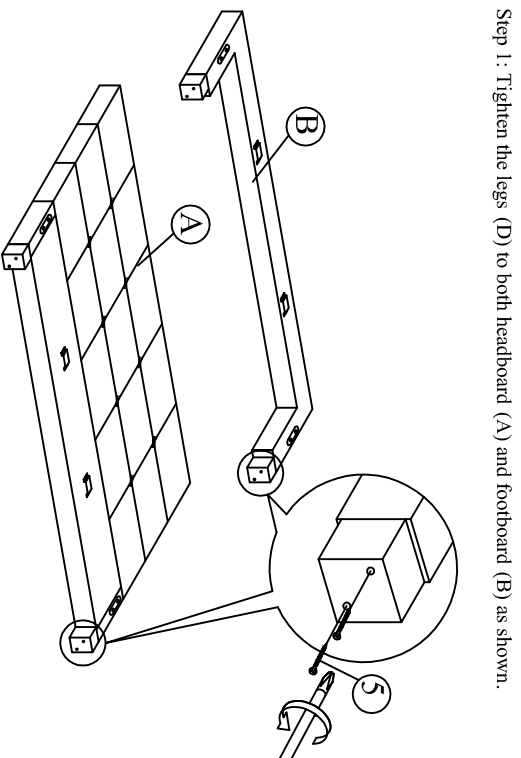
Step 7: Tighten the roller (10) with screws (7) using screw driver (not included).



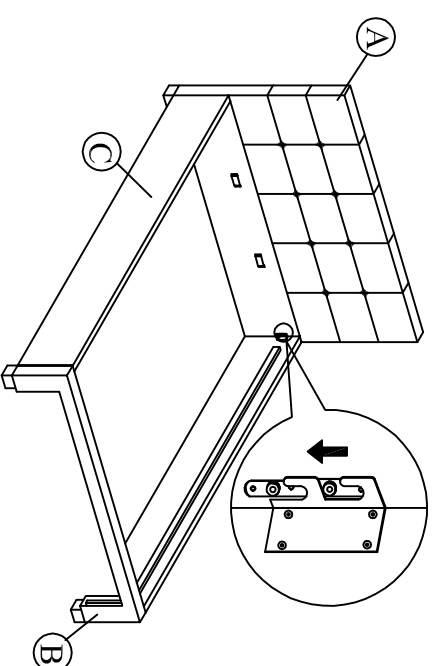
Step 8: Tighten all the 4 corner ,follow by assembly of the slat holders with LVL slats as shown.



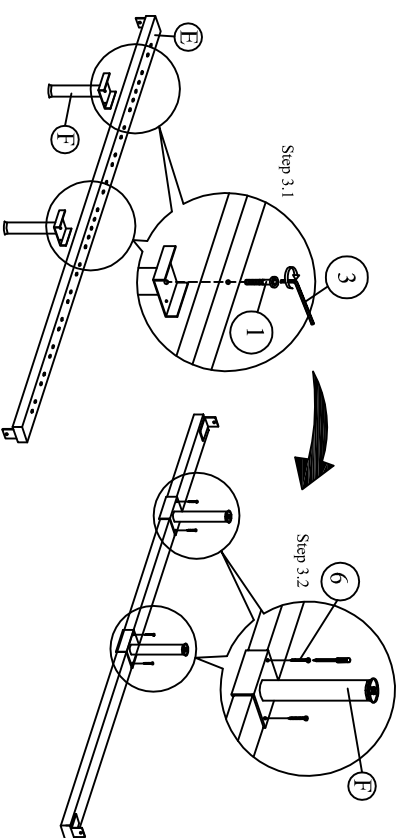
A		1 pc	I		28 pcs
B		1 pc	J		1 pc
C		2 pcs	K		1 pc
D		4 pcs	L		2 pcs
E		2 pcs	M		1 pc
F		4 pcs			
G		42 pcs			
H		28 pcs			
hardware for bed (1)		hardware for panel (2)			
1		4 pcs	7		24 pcs
2		1 pc	8		22 pcs
3		1 pc	9		8 pcs
4		4 pcs	10		6 pcs
5		8 pcs			
6		8 pcs			



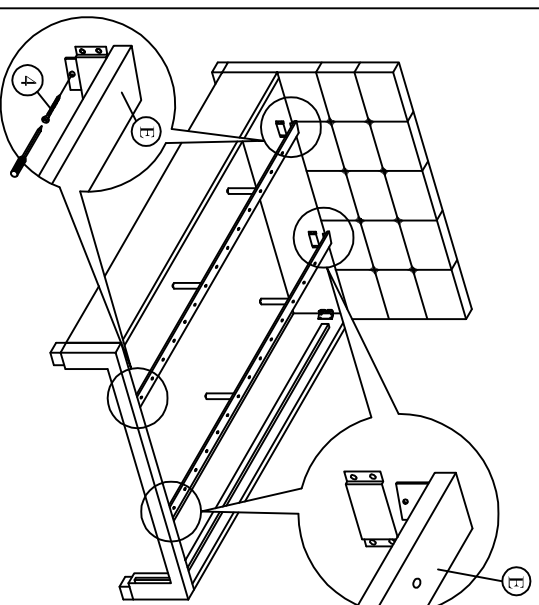
Step 1: Tighten the legs (D) to both headboard (A) and footboard (B) as shown.



Step 2: Attach side rail (C) to headboard (A) and footboard (B) by pushing the bracket down to fit it.

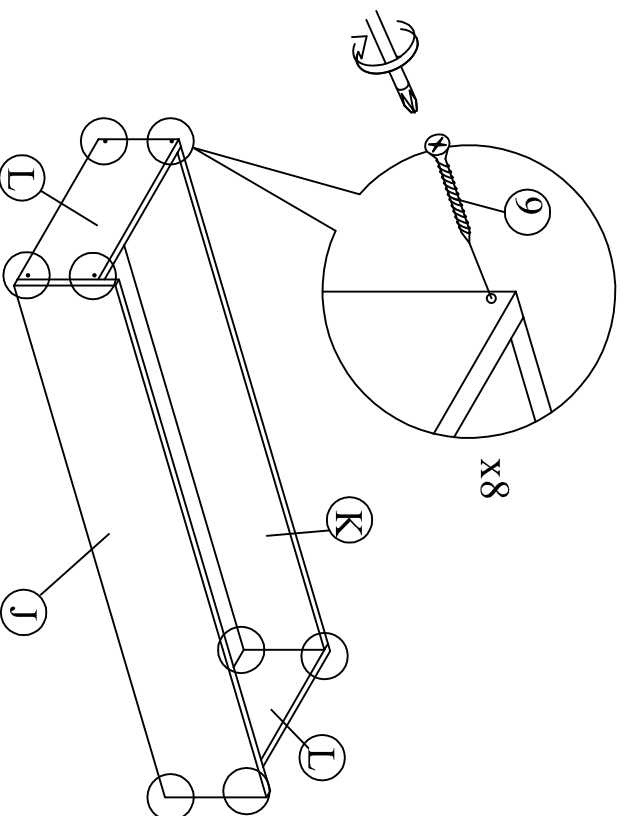


Step 3: Attach the support legs (F) to the center rail (E) of the bed as shown.

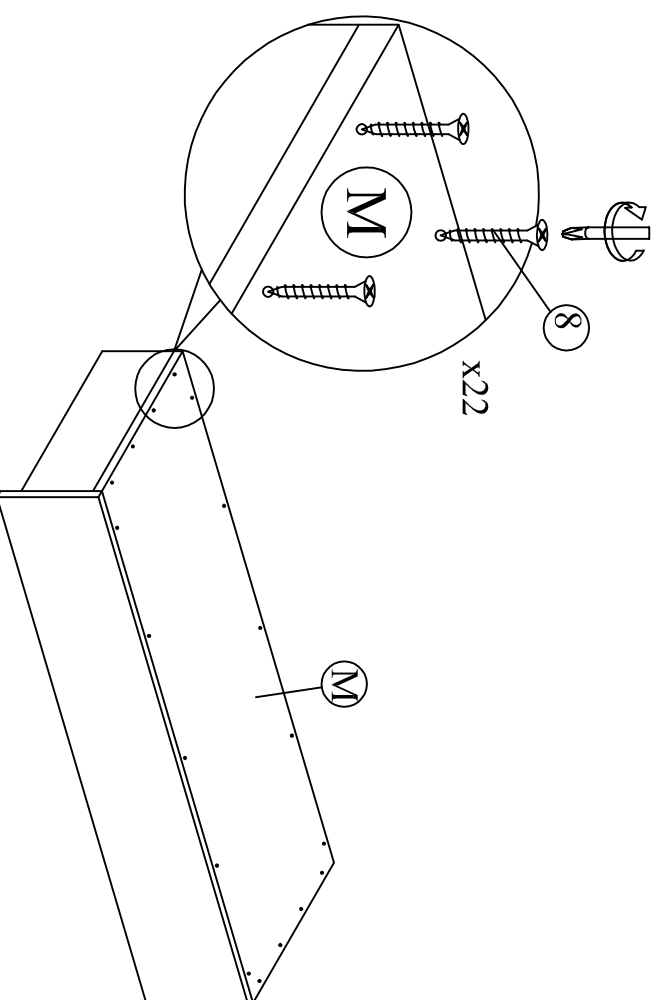


Step 4: Slide the center rail (E) to the headboard (A) and footboard (B). Tighten screws (4) using screw driver (not included) to the headboard (A) and footboard (B).

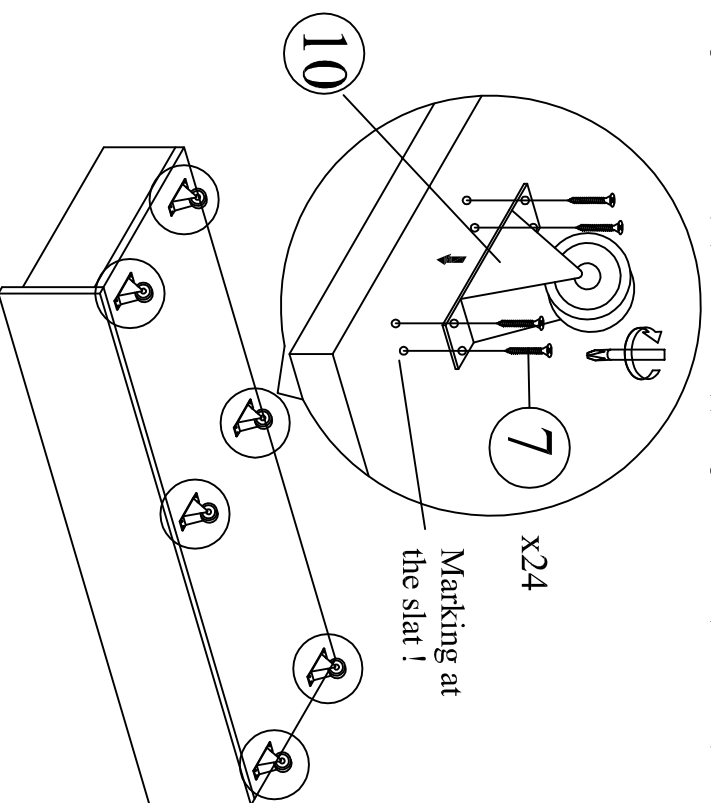
Step 5: Tighten the side panel (L) to the front panel (J) and back panel (K) with screws (9) using screw driver (not included).



Step 6: Tighten the back panel (M) with screws (8) using screw driver (not included).



Step 7: Tighten the roller (10) with screws (7) using screw driver (not included).



Step 8: Tighten all the 4 corner, follow by assembly of the slat holders with LVL slats as shown.

