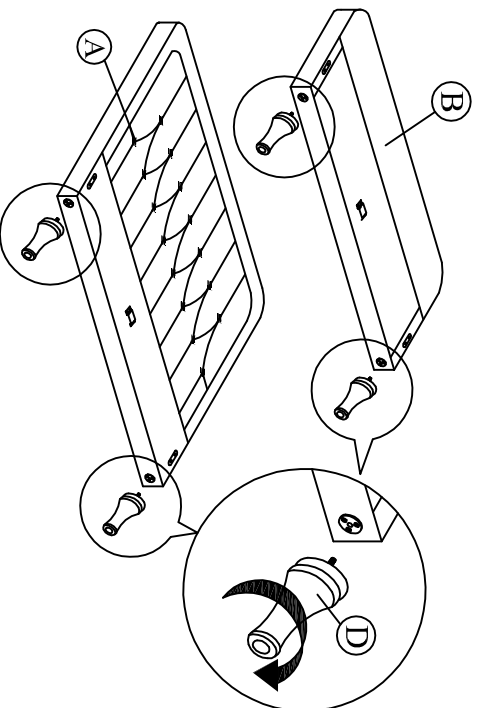


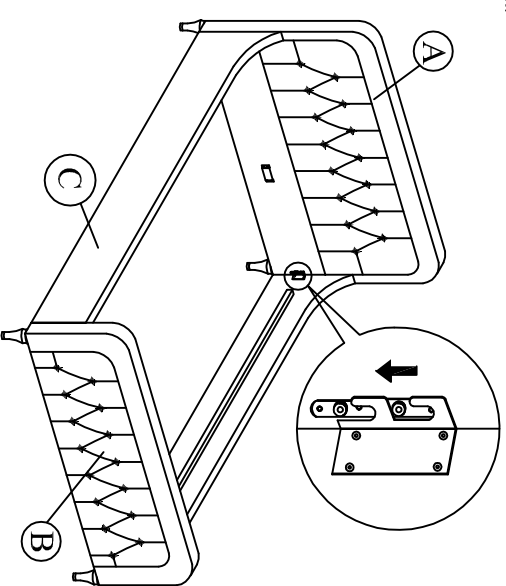
# ASSEMBLY INSTRUCTION

MODEL: CF 8706 (5)

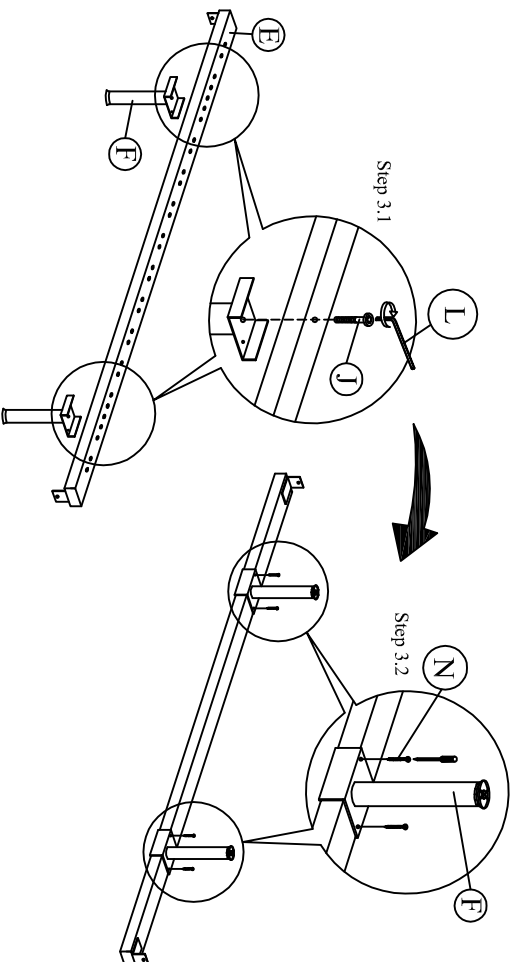
Step 1: Tighten the legs (D) to both headboard (A) and footboard (B) as shown.



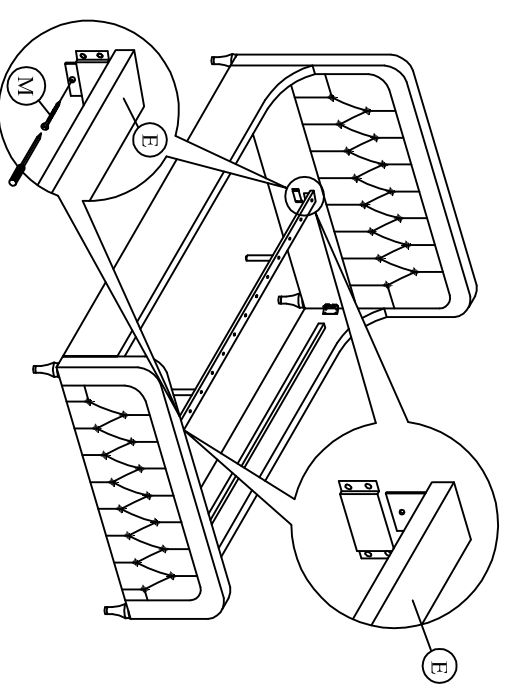
Step 2: Attach side rail (C) to headboard (A) and footboard (B) by pushing the bracket down to fit it.



Step 3: Attach the support legs (F) to the center rail (E) of the bed as shown.



Step 4: Slide the center rail (E) to the headboard (A) and footboard (B). Tighten screws (M) using screw driver (not included) to the headboard (A) and footboard (B).



A	Headboard	1 pc
B	Footboard	1 pc
C	Side Rail	2 pcs
D	Leg	4 pcs
E	Center Rail	1 pc
F	Support Leg	2 pcs
G	Slat	28 pcs
H	Middle Holder	14 pcs
I	End Holder	28 pcs
J	JCBC M6 X 40	2 pcs
K	M5 x 70mm	1 pc
L	M4 x 65mm	1 pc
M	CSK M4 x 25mm	2 pcs
N	CSK M4 x 16mm	4 pcs

Step 5: Tighten all the 4 corner, follow by assembly of the slat holders with LVL slats as shown.

