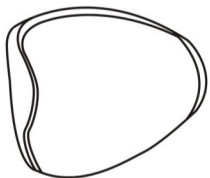
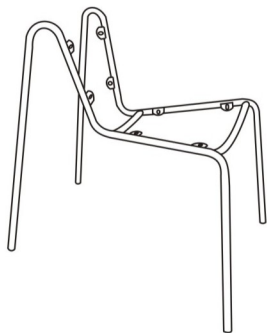


# ASSEMBLING INSTRUCTION

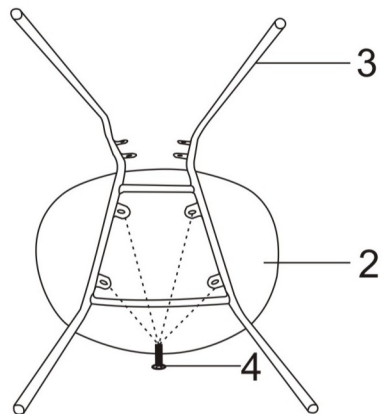
(1) × 1



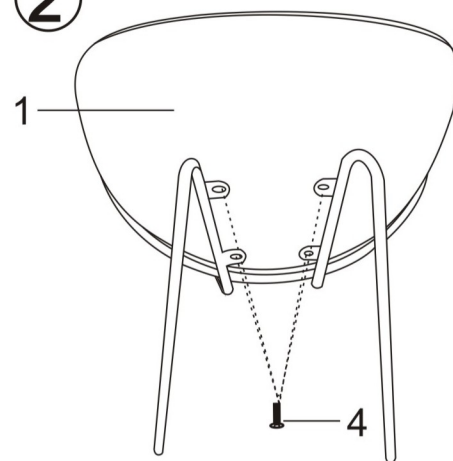
(3) × 1



①



②



(2) × 1



(4) × 8



③

