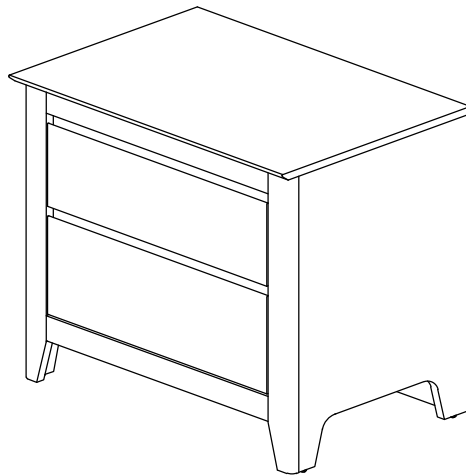
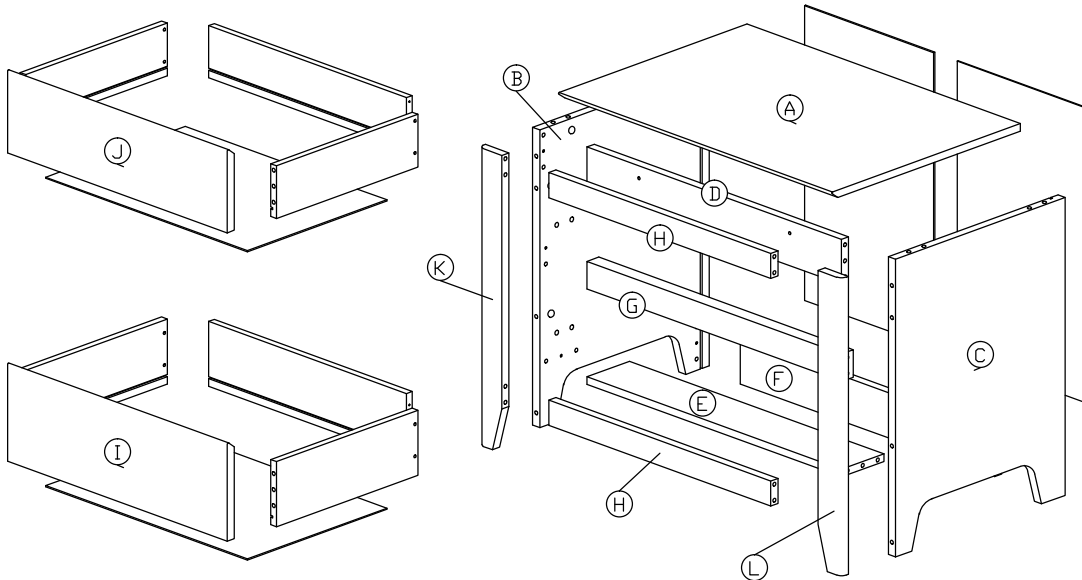


Assembly Instruction

Model : CA - 2DW



Part List

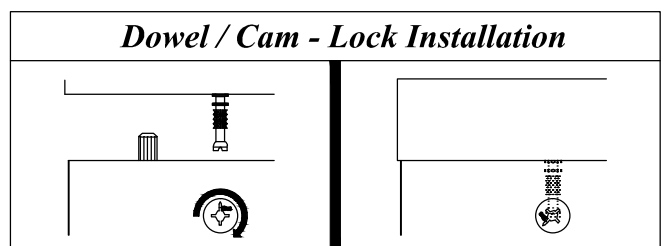


Hardware List

No.	SHAPE	DESCRIPTION	Qty.
1		6x25mm Wood Dowel	8Pcs
2		8x25mm Wood Dowel	22Pcs
3		6x40mm Wood Dowel	8Pcs
4		12MM Titus Minifix	4Sets
5		15MM Titus Minifix	17Sets
6		M5x8mm Screw (Euro Screw)	8Pcs
7		M3.5x15mm Screw	34Pcs
8		M4x25mm Screw	2Pcs
9		M4x30mm Screw	8Pcs

10		L Bracket	3Pcs
11		Drawer Slide 12" (300mm)	2Sets
12		PVC Drawer Pin	8Pcs
13		Nail Leg	4Pcs

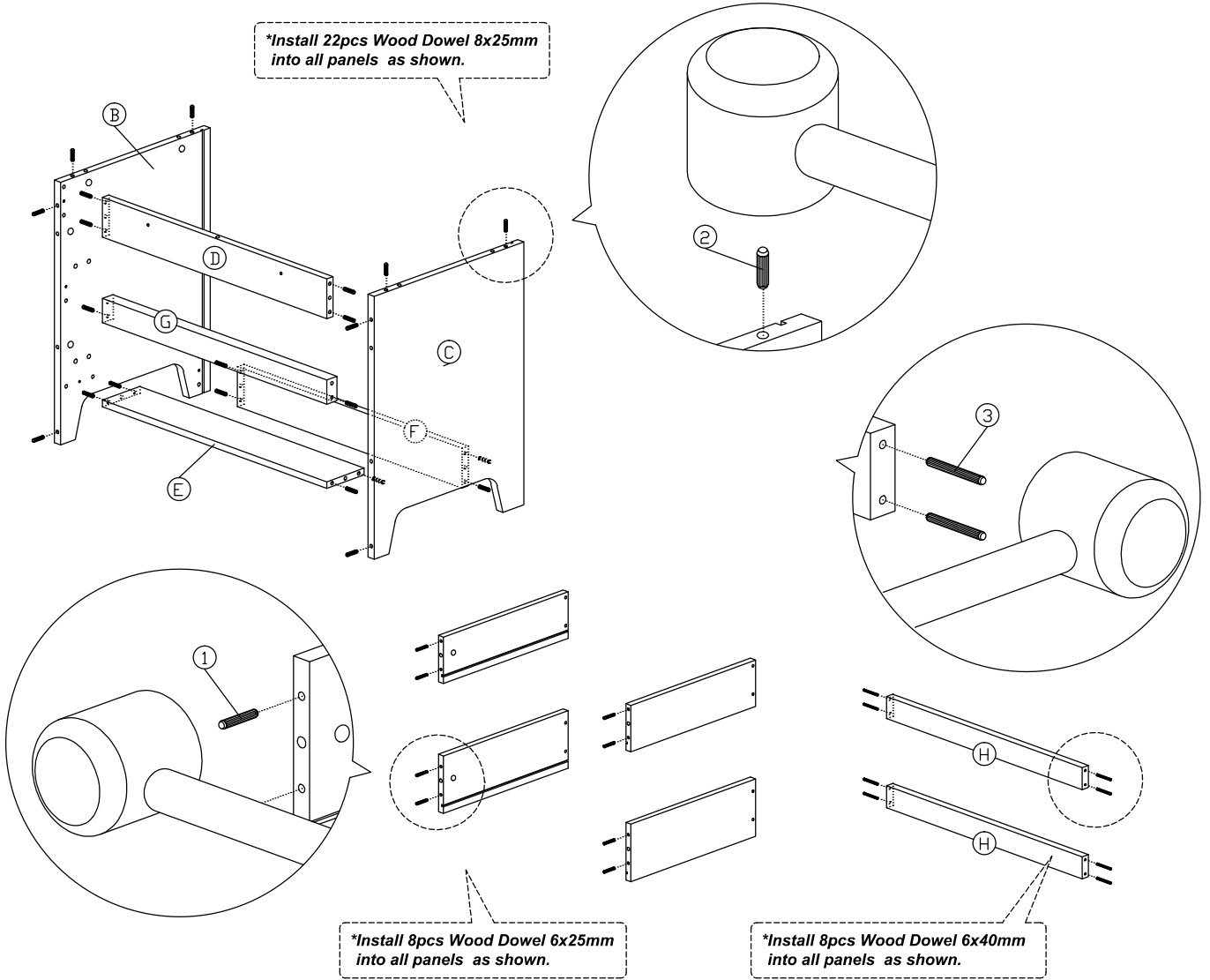
Dowel / Cam - Lock Installation



Assembly Instruction

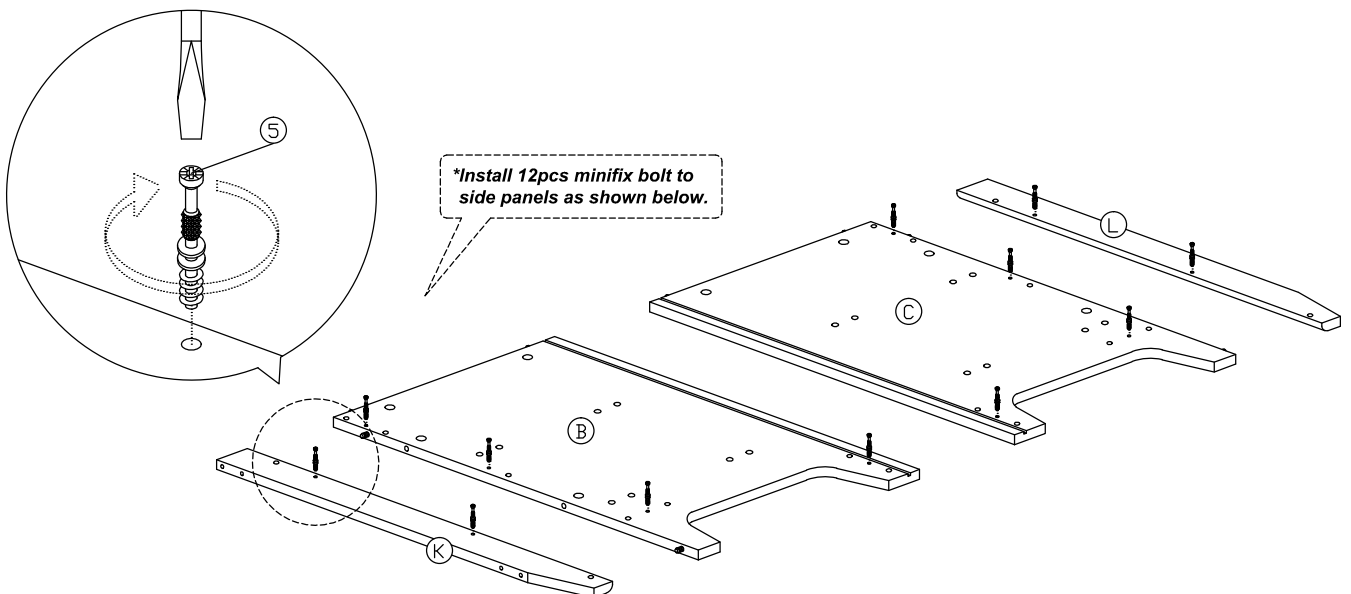
Step 1

**Install 22pcs Wood Dowel 8x25mm into all panels as shown.*



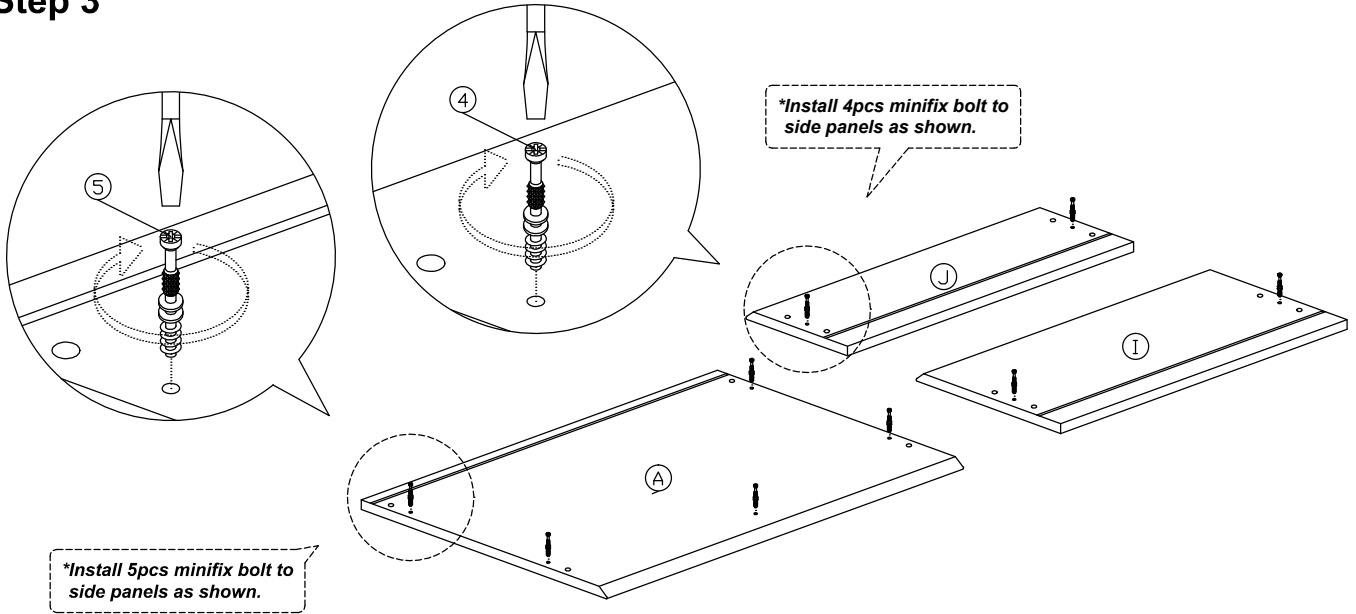
Step 2

**Install 12pcs minifix bolt to side panels as shown below.*

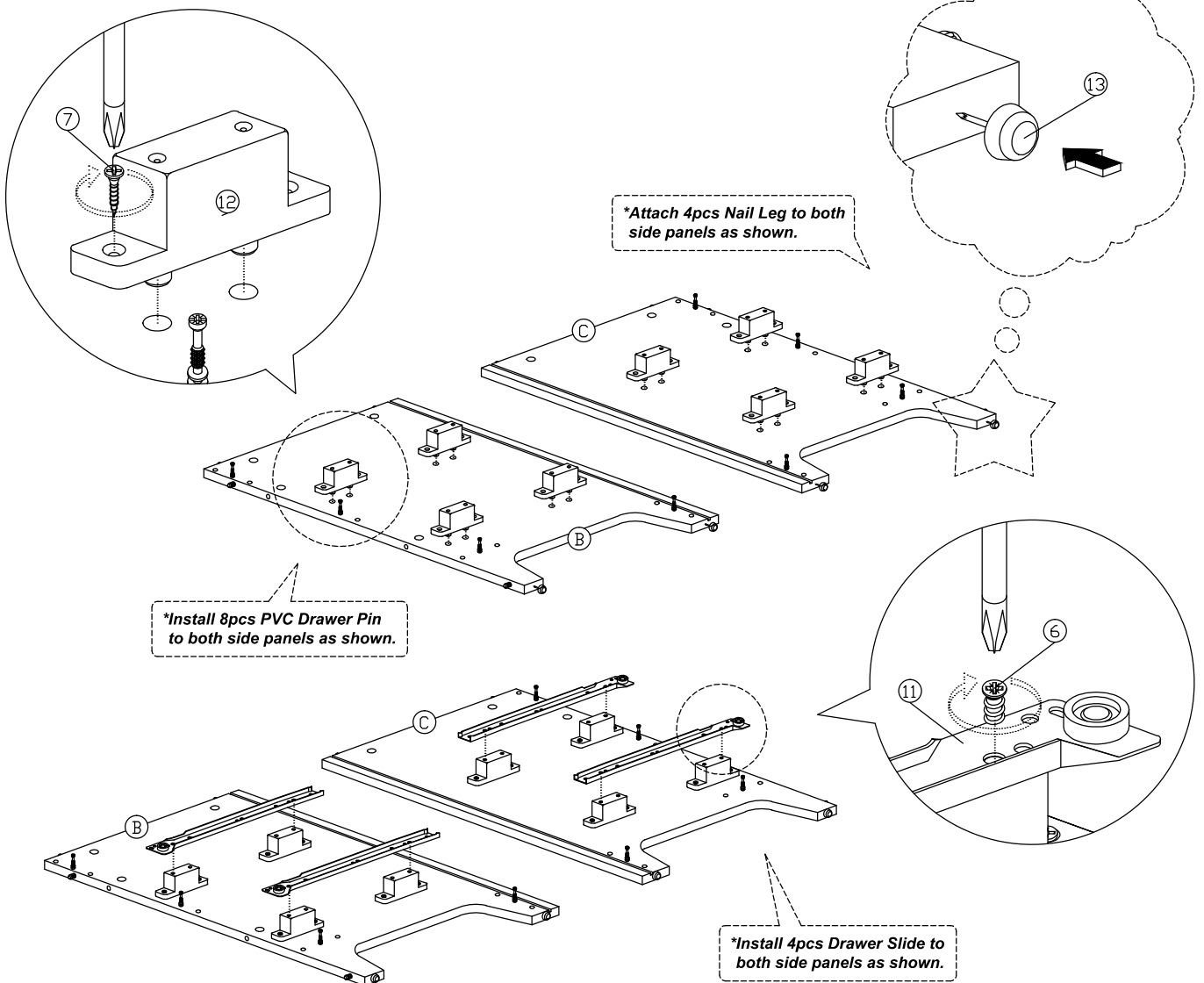


Assembly Instruction

Step 3

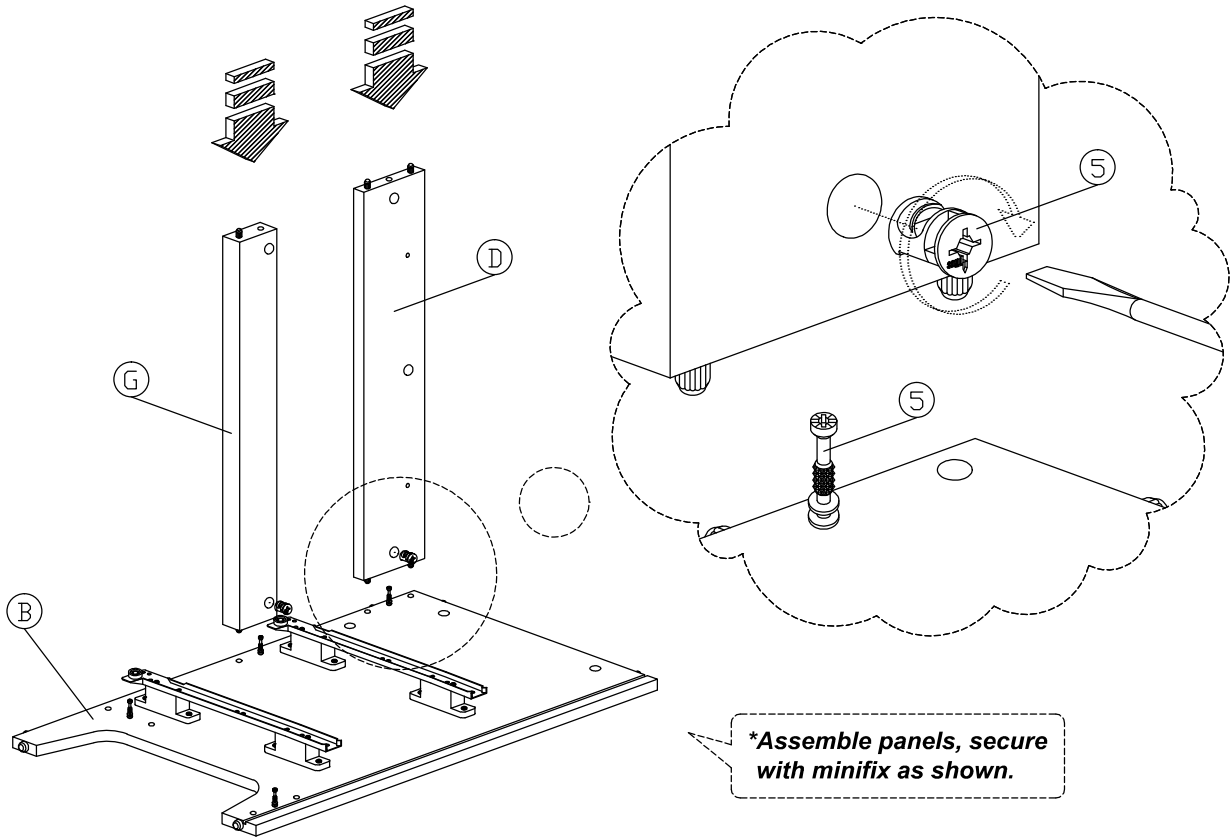


Step 4

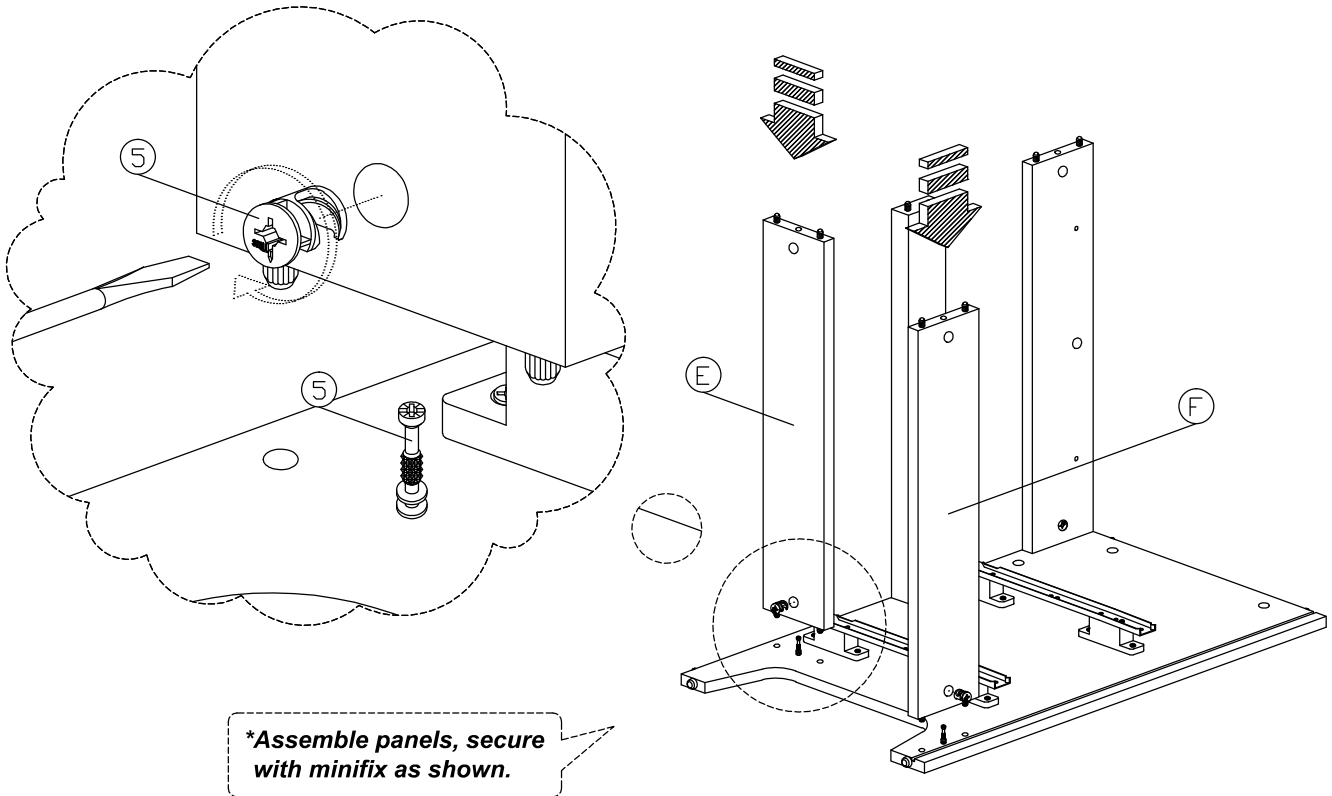


Assembly Instruction

Step 5



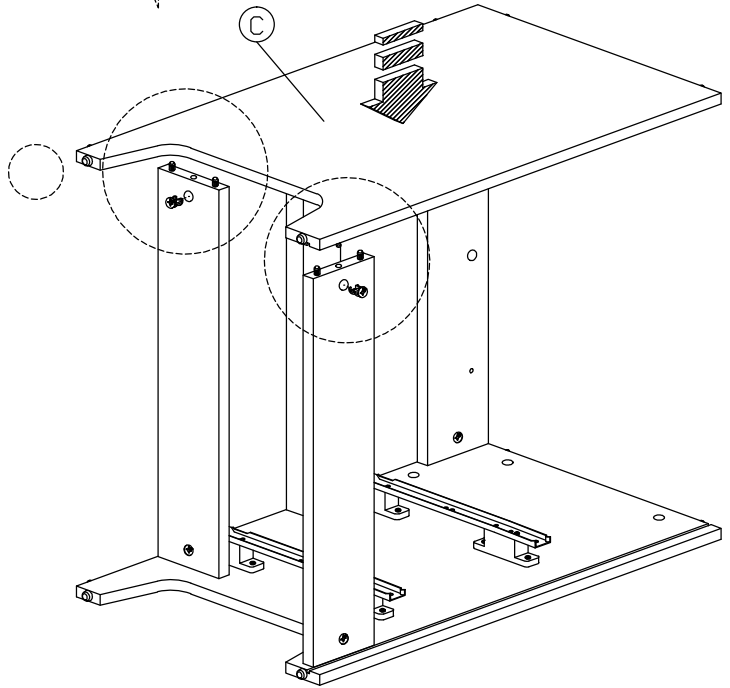
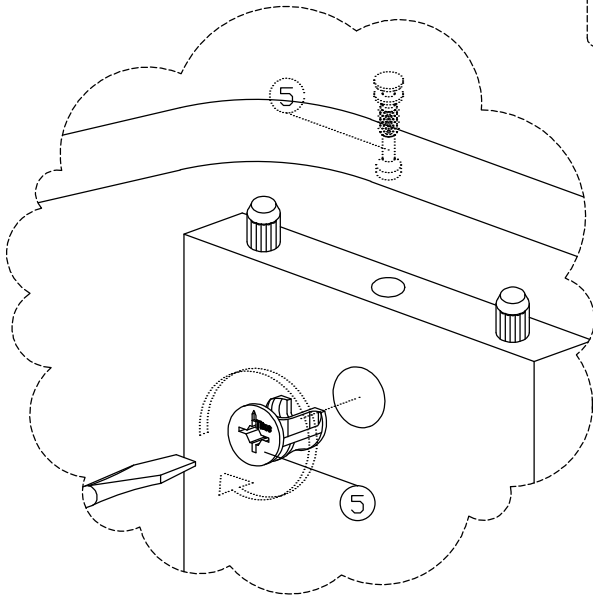
Step 6



Assembly Instruction

Step 7

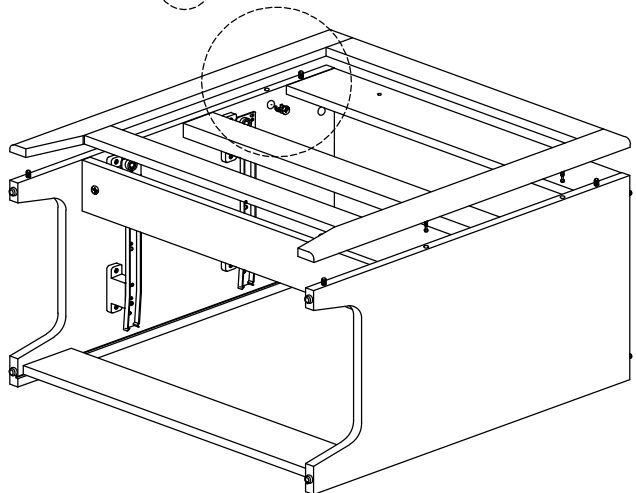
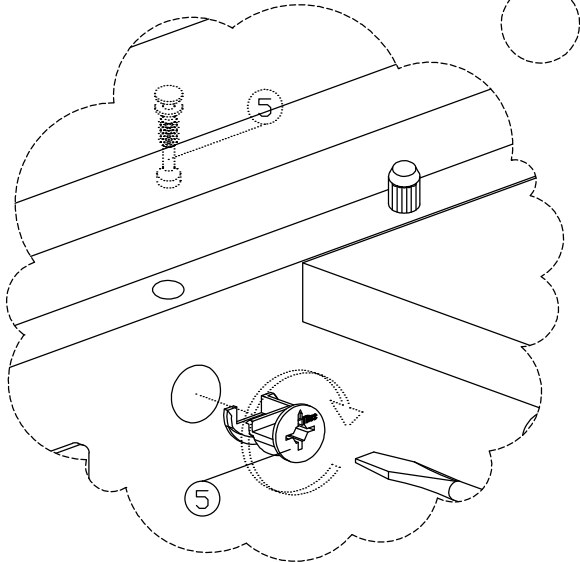
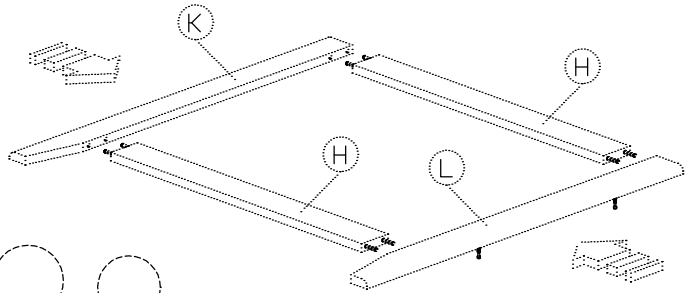
**Assemble panels, secure with minifix as shown.*



Step 8

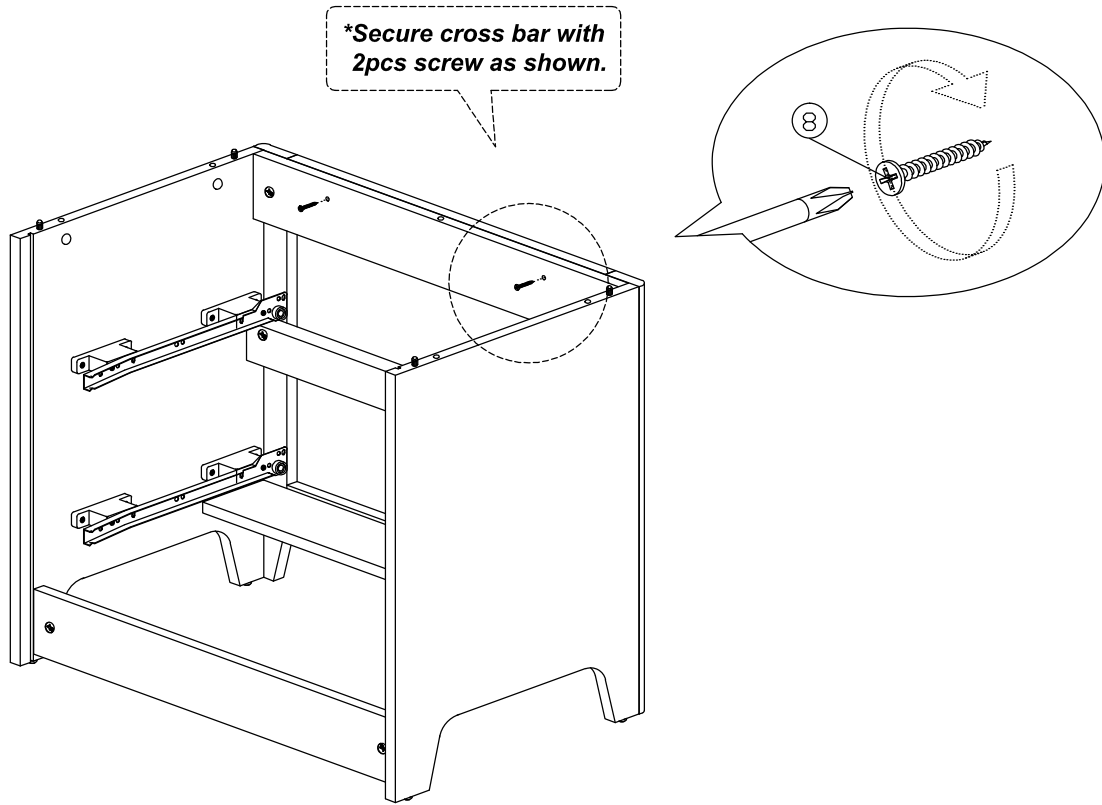
**Assemble panels as shown.*

**Assemble panels, secure with minifix as shown.*

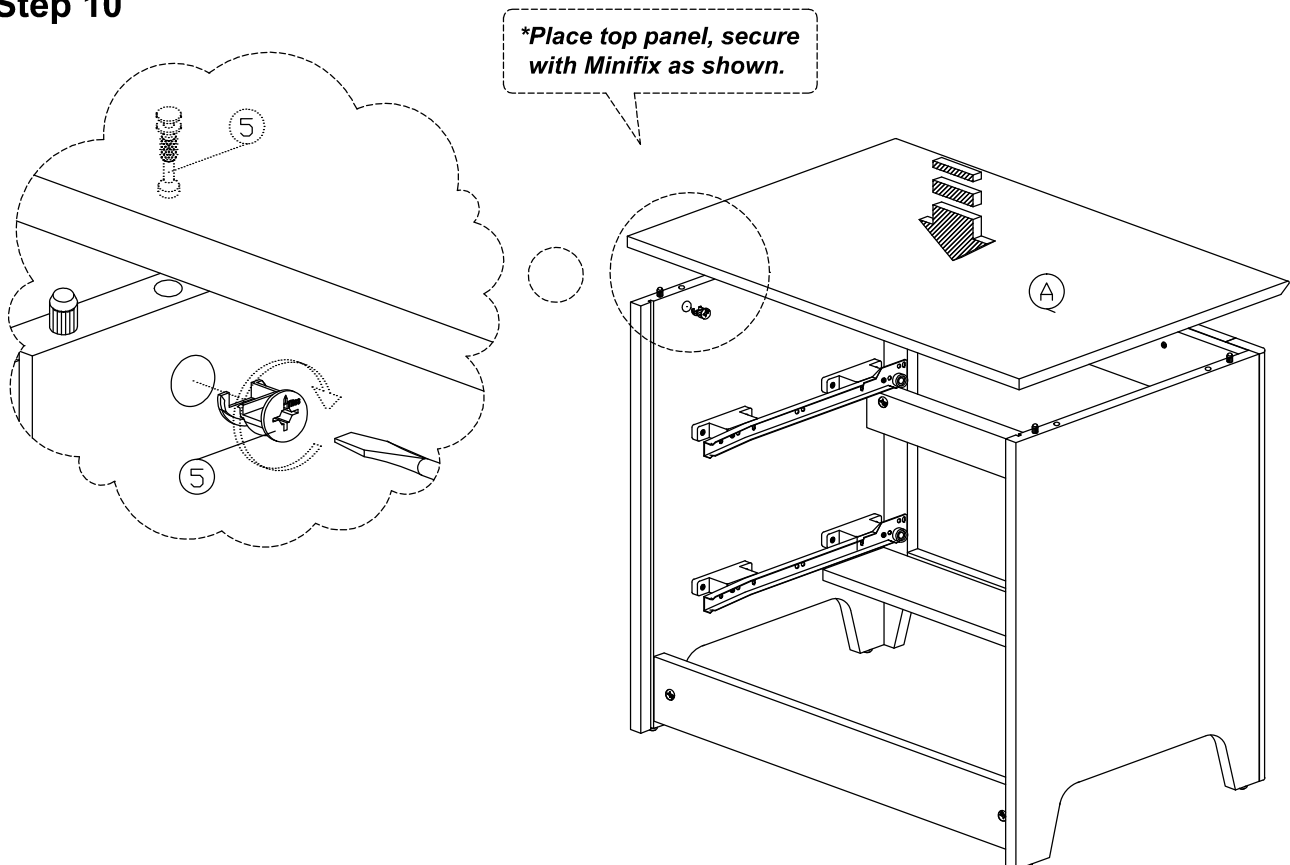


Assembly Instruction

Step 9

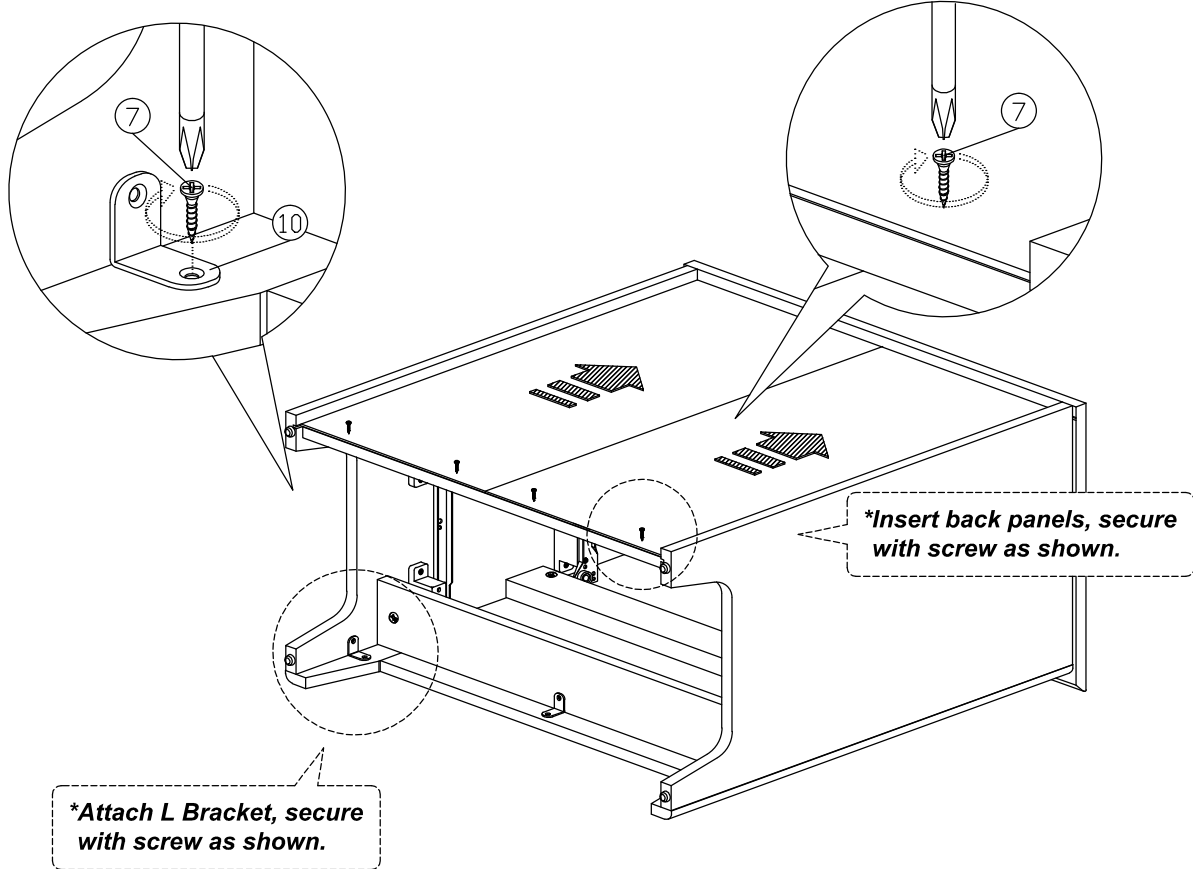


Step 10

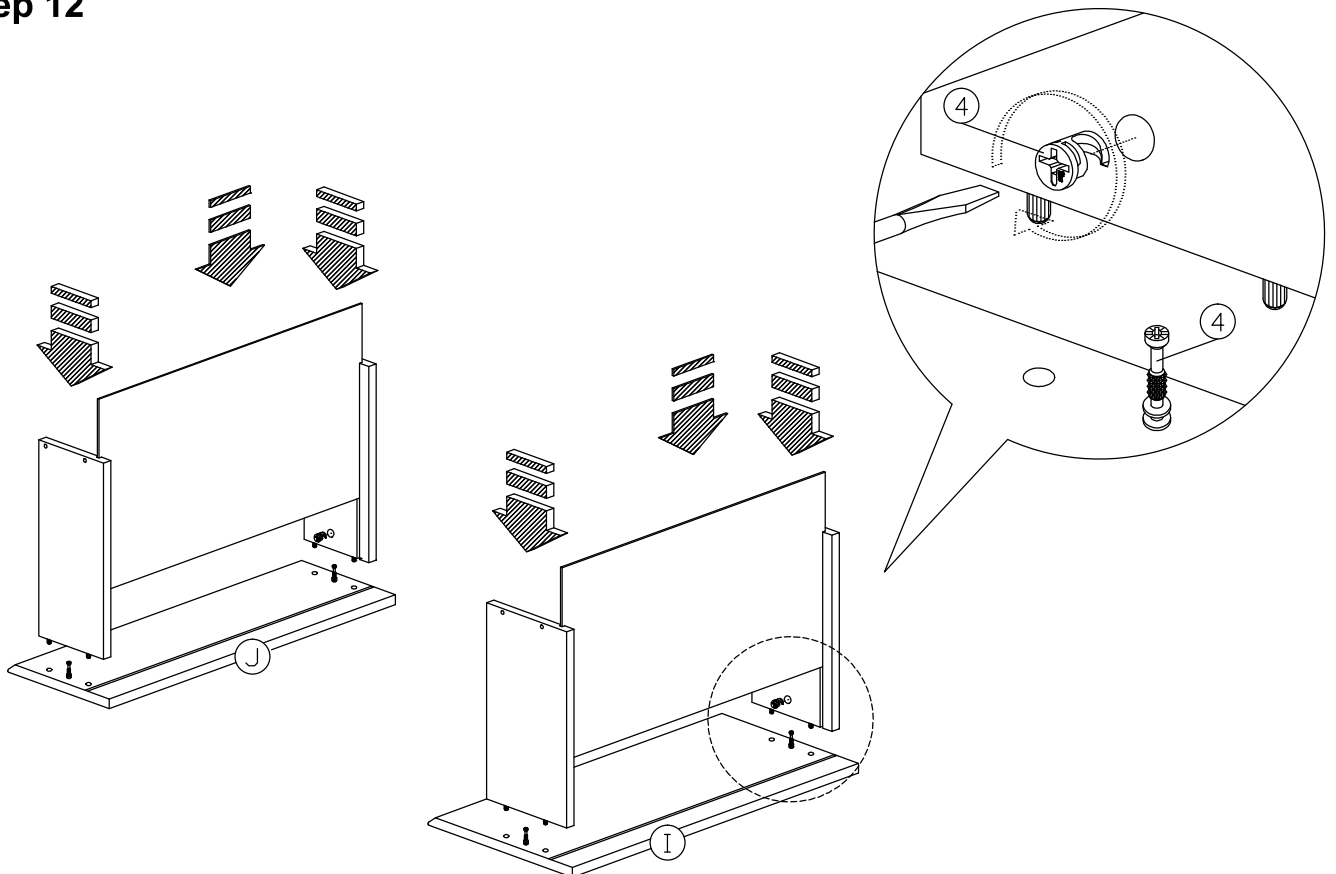


Assembly Instruction

Step 11

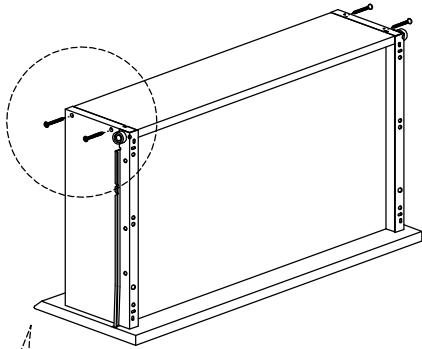
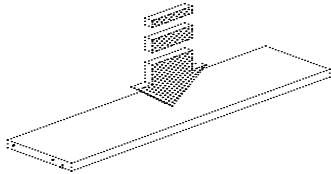
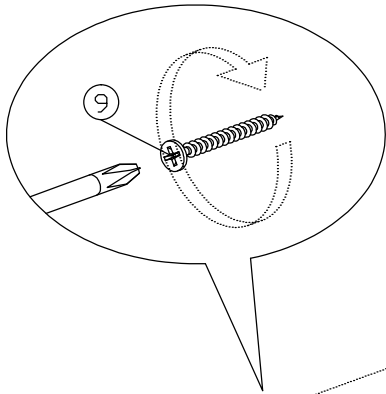


Step 12

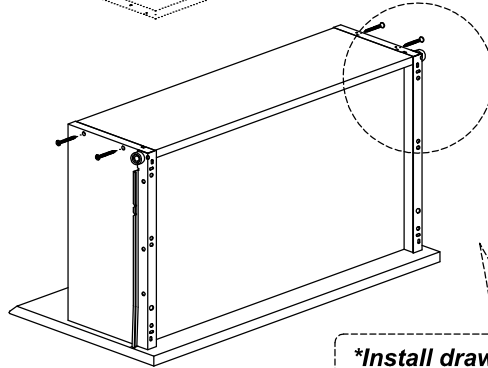
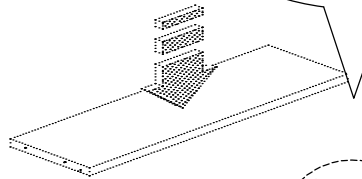
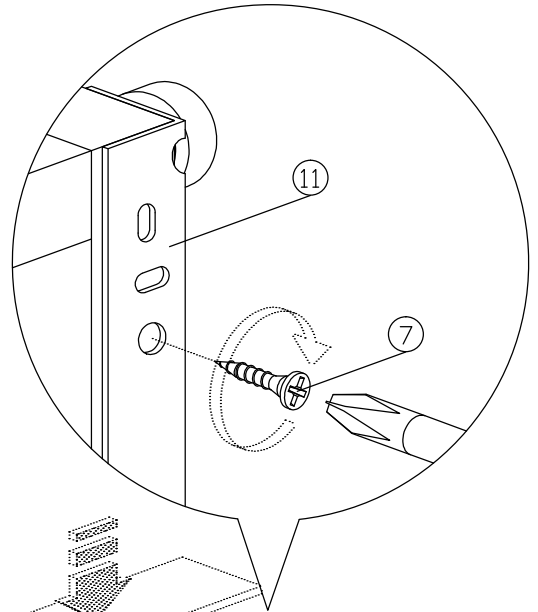


Assembly Instruction

Step 13

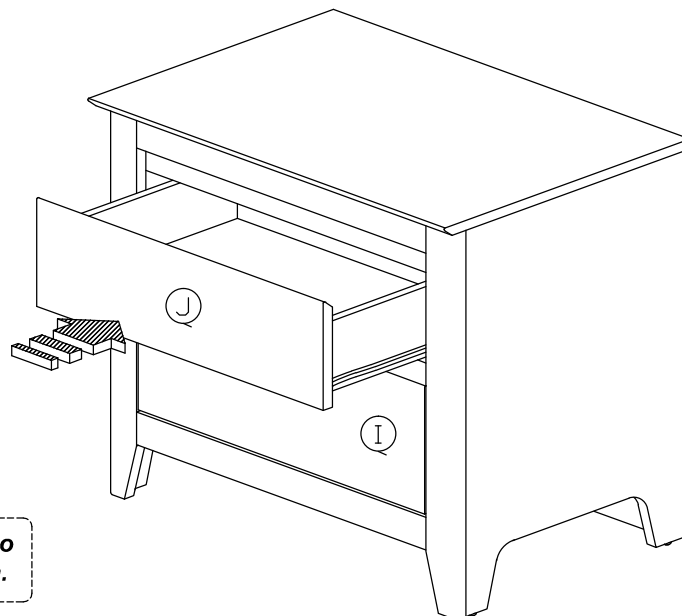


**Insert drawer back, secure with screw as shown.*



**Install drawer slide, secure with screw as shown.*

Step 14



**Place drawers into cabinet as shown.*