


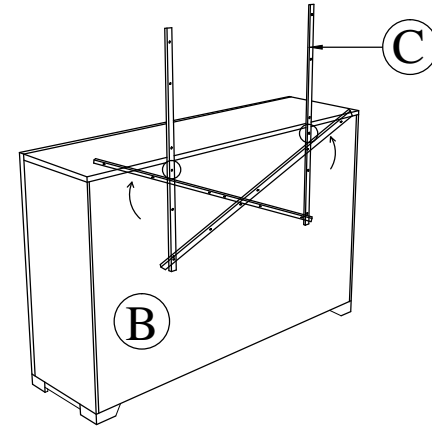
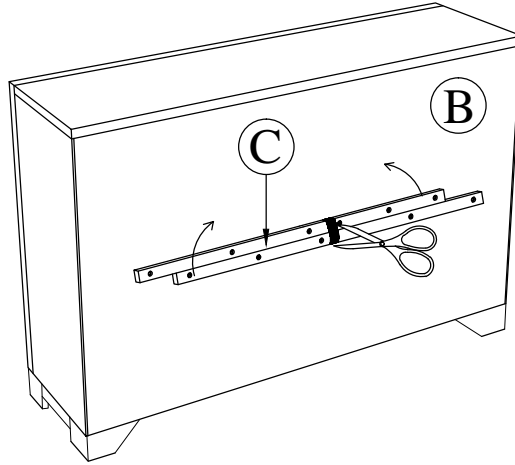
ASSEMBLY INSTRUCTIONS

**MODEL : C4233A
(DRESSER & MIRROR)**


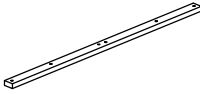
STEP 1 : Cut off the Raffia String from the back of DRESSER (B) and turn the MIRROR SUPPORT RAIL (C) upward at the back of DRESSER (B)

(Box 1)
BOX OF MIRROR

No	ITEM	Qty
	MIRROR	
A		1 pc





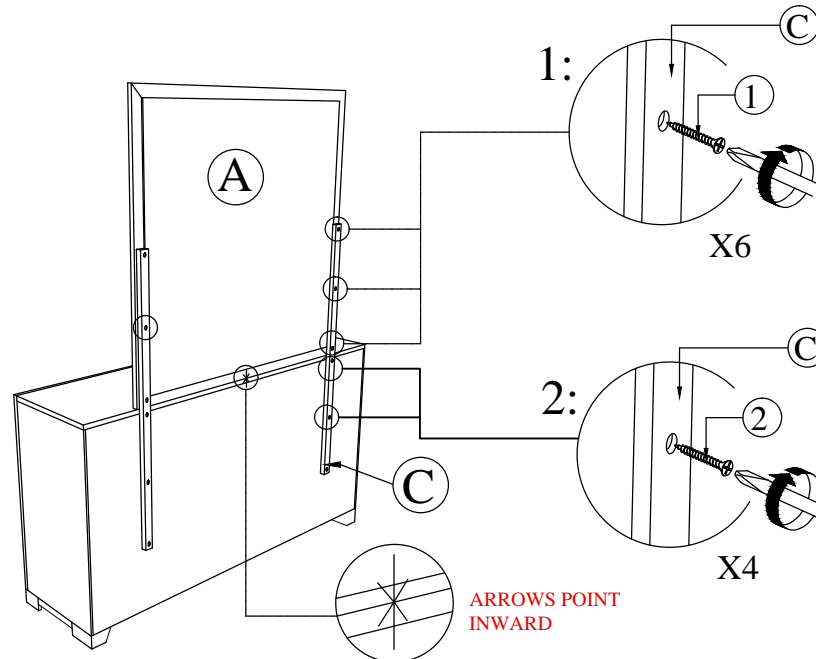
(Box 2)
BOX OF DRESSER

No	ITEM	Qty
	DRESSER	
B		1 pc
	MIRROR SUPPORT	
C		2 pcs

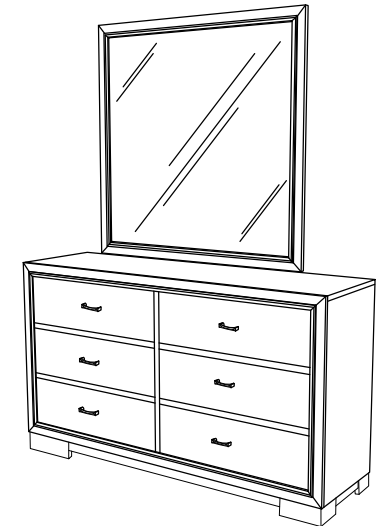
STEP 2 : Place the MIRROR FRAME (A) on the Top of DRESSER (B) as Shown and Tighten with CSK SCREW (1) for DIAGRAM (1) and (2) for DIAGRAM (2).

(Box 2)
HARDWARE LIST

No	ITEM	Qty
	CSK SCREW M4 x 25MM	
1		6 pcs
	CSK SCREW M4 x 32MM	
2		4 pcs



ARROWS POINT
INWARD



COMPLETED ASSEMBLY

NOTE : MUST TIGHTEN SCREWS PERIODICALLY. SCREWS NATURALLY LOOSEN WITH USE. CHECK TIGHTNESS OF ALL SCREWS EVERY 6-8 WEEKS.