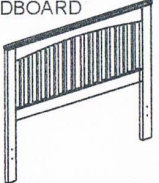
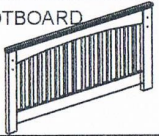


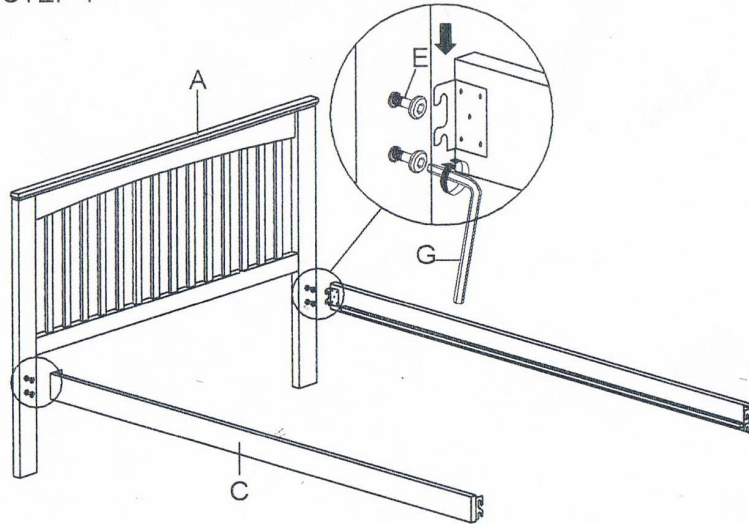


ASSEMBLY INSTRUCTION

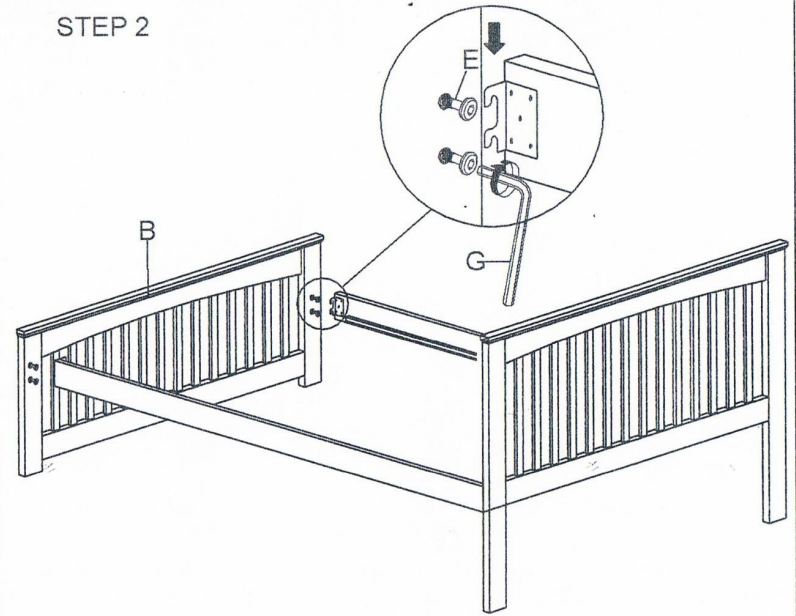
MODEL : BED 3

NO.	PART LIST	QTY
A	HEADBOARD 	1PC
B	FOOTBOARD 	1PC
C	SIDE RAIL 	2PCS
D	SLAT 	12PCS

STEP 1

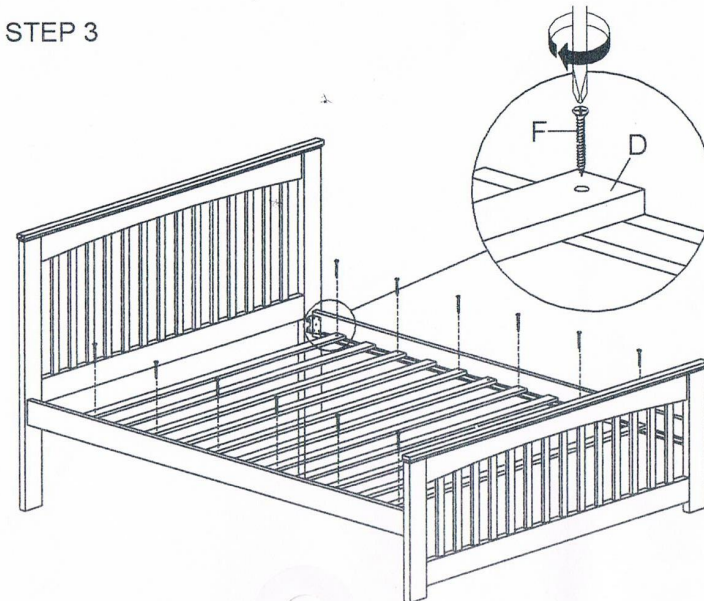


STEP 2

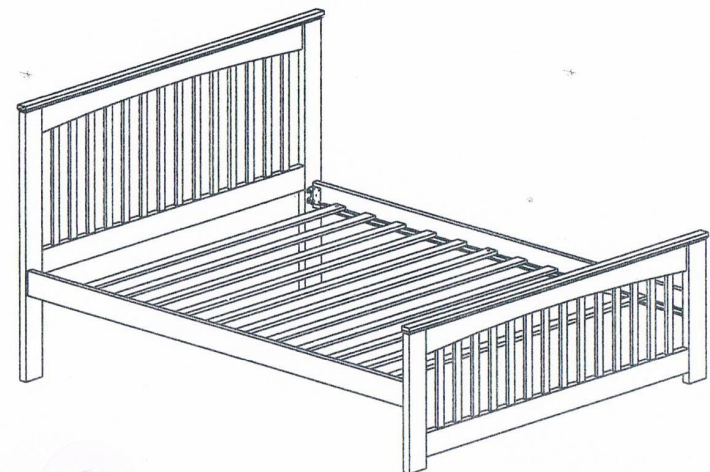


NO.	HARDWARE LIST	QTY
E	JCBB M8 x 16mm 	8PCS
F	CSK M4 x 25mm 	12PCS
G	ALLEN KEY 	1PCS

STEP 3



ASSEMBLY COMPLETED

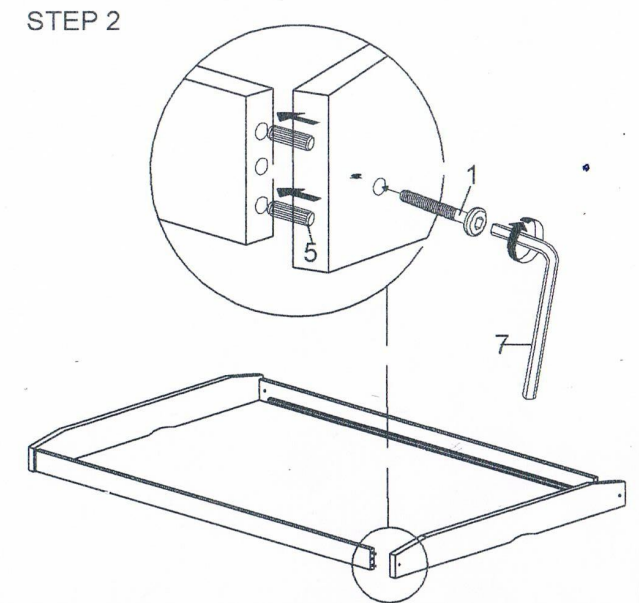
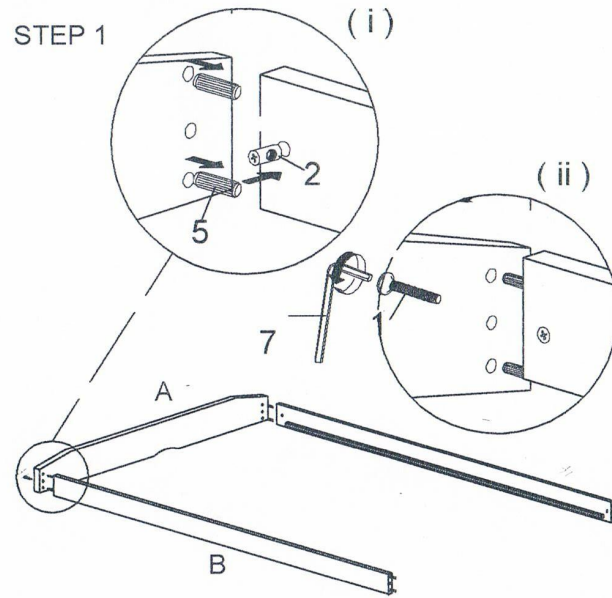


ASSEMBLY INSTRUCTION

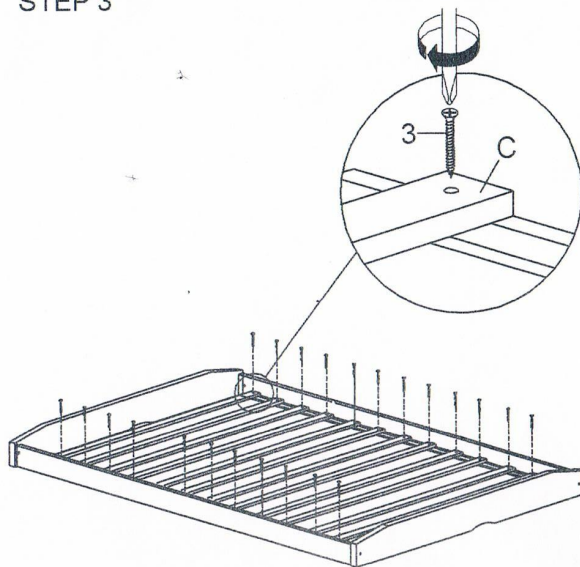
MODEL : TRUNDLE BED

NO.	PART LIST	QTY
A		2 PC
B		2 PC
C		12 PC

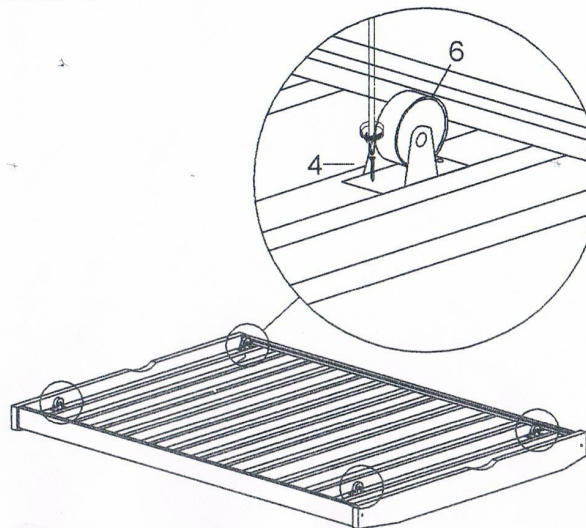
NO.	HARDWARE LIST	QTY	NO.	HARDWARE LIST	QTY
1	JCBC M6 x 50mm	4PC	5	WOOD DOWEL	8PC
2	BARREL NUT	4PC	6	CASTER	4PC
3	CSK M4 x 25mm	24PC	7	ALLEN KEY	1PC
4	CSK M3.5 x 12mm	16PC			



STEP 3



STEP 4



ASSEMBLY COMPLETED

