
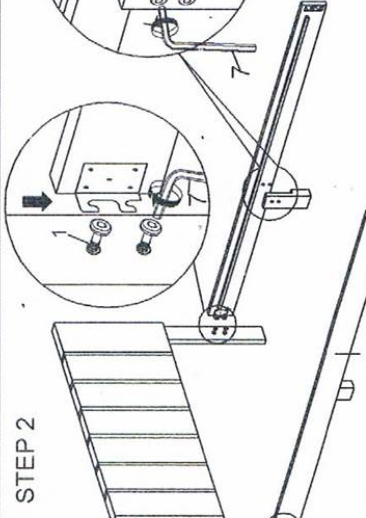
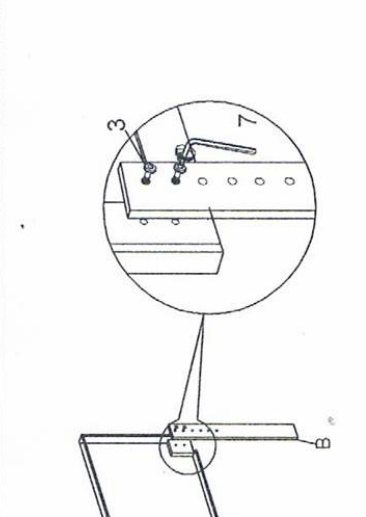




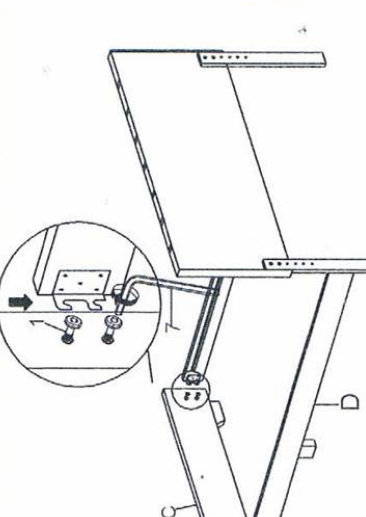
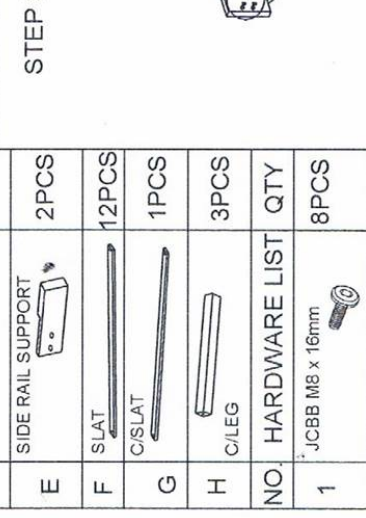







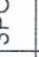


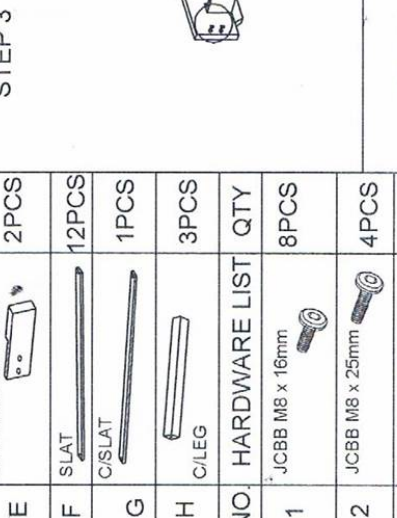
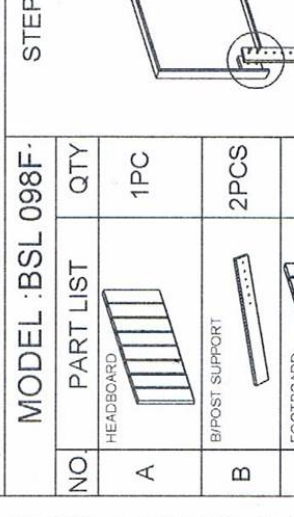


# ASSEMBLY INSTRUCTION

MODEL :BSL 098F-			
NO.	PART LIST	QTY	
A	HEADBOARD 	1PC	<div style="display: flex; justify-content: space-around;"> <div style="text-align: center;"> <p>STEP 1</p>  </div> <div style="text-align: center;"> <p>STEP 2</p>  </div> </div>
B	B/POST SUPPORT 	2PCS	
C	FOOTBOARD 	1PC	
D	SIDE RAIL 	2PCS	
E	SIDE RAIL SUPPORT 	2PCS	<div style="display: flex; justify-content: space-around;"> <div style="text-align: center;"> <p>STEP 3</p>  </div> <div style="text-align: center;"> <p>STEP 4</p>  </div> </div>
F	SLAT 	12PCS	
G	C/SLAT 	1PCS	
H	C/LEG 	3PCS	
NO.	HARDWARE LIST	QTY	
1	JCBB M8 x 16mm 	8PCS	
2	JCBB M8 x 25mm 	4PCS	
3	JCBB M8 x 40mm 	4PCS	
4	JCBC M6 x 40mm 	3PCS	
5	CSK M4 x 25mm 	18PCS	
6	ALLEN KEY M4 	1PCS	
7	ALLEN KEY M5 	1PCS	
			<div style="display: flex; justify-content: space-around;"> <div style="text-align: center;"> <p>STEP 5</p>  </div> <div style="text-align: center;"> <p>ASSEMBLY COMPLETED</p>  </div> </div>