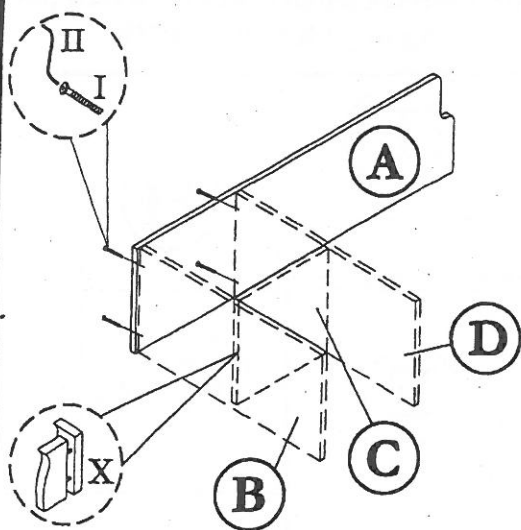


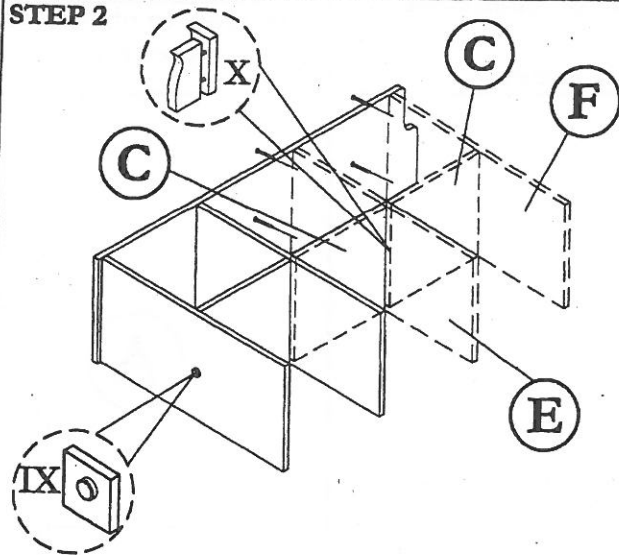
ASSEMBLY INSTRUCTION
MODEL : BC 6 / BOOKCASE

Before you begin, please follow assembly instruction carefully.
 Then follow them step by step.

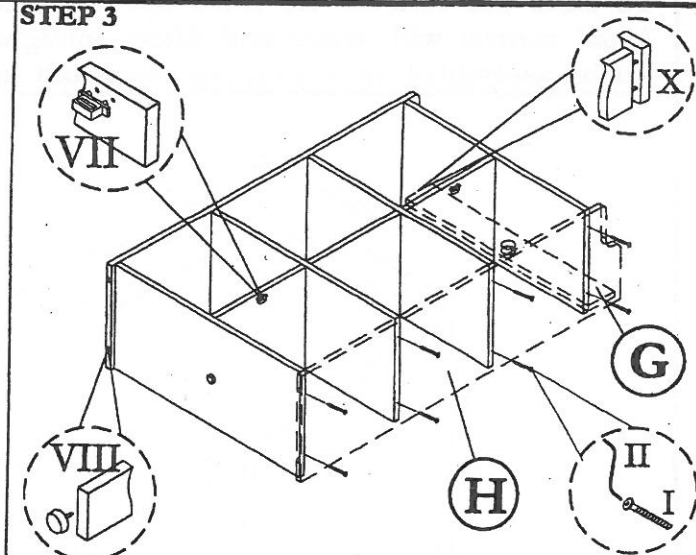
STEP 1



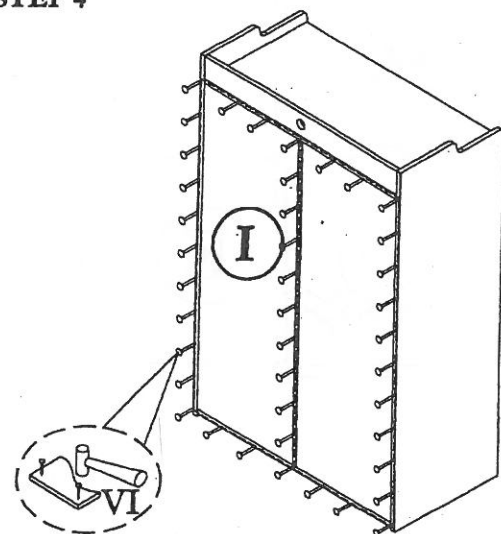
STEP 2



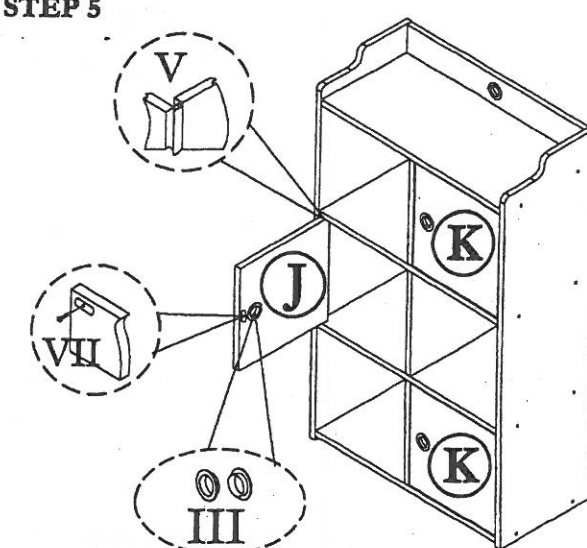
STEP 3



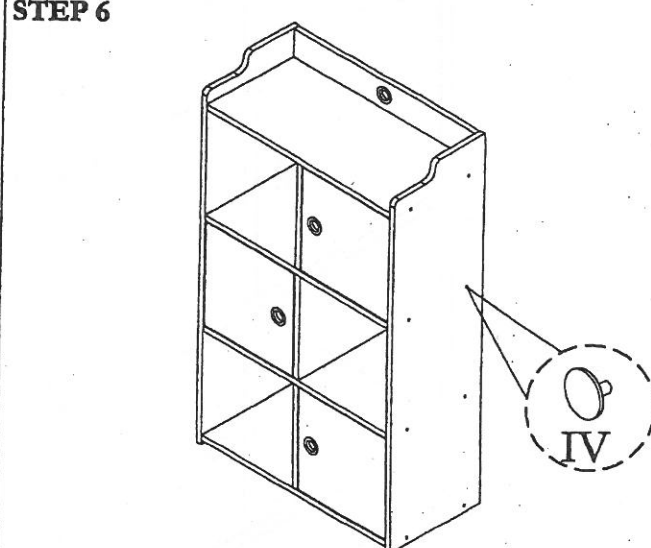
STEP 4



STEP 5



STEP 6



HARDWARE LIST

NO	DESCRIPTION	QTY
I	JCBCW SCREW M6 x 45	16pcs
II	M4 ALLEN KEY	1pc
III	HANDLE	4sets

IV	CAP SMALL	16pcs
V	SPRING DOOR SUPPORT	6pcs
VI	NAIL	50pcs
VII	MAGNET WITH PLATE & SCREW	3sets
VIII	PVC NAIL WITH PIN	4pcs

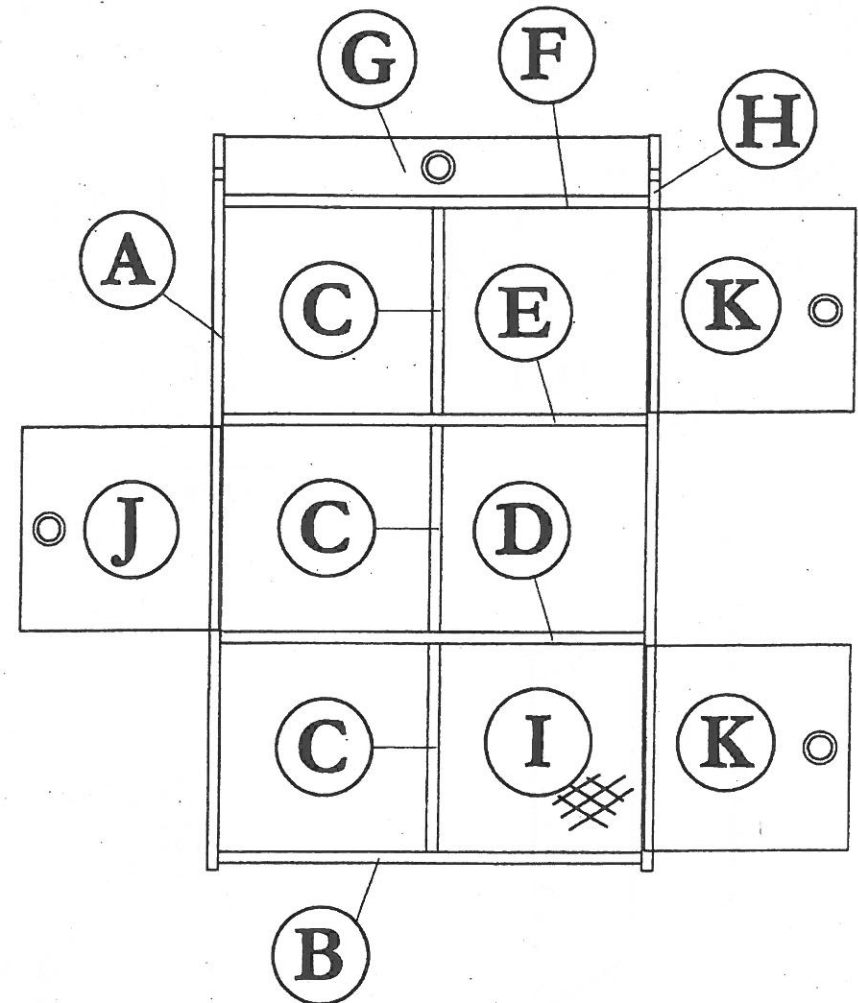
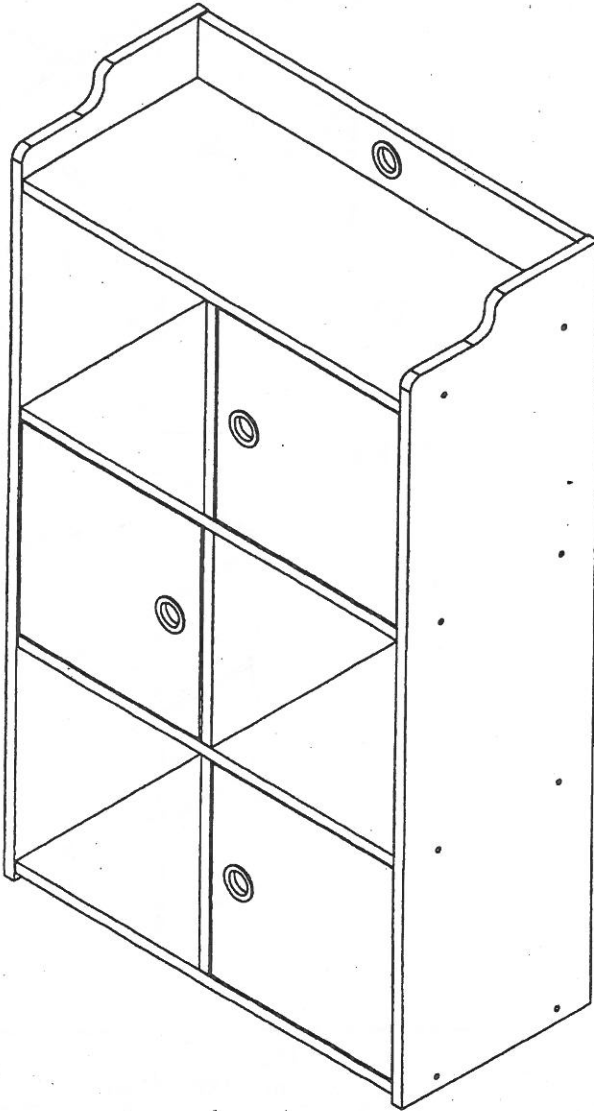
IX	PVC LEG	1pc
X	M8 x 30 PLASTIC DOWEL	16pcs

CAUTION:

To clean use soft, dry cloth. Do not use detergent or chemicals
 Avoid contact with water and direct sunlight.
 To be assembled on a soft, dry, clean and smooth surface.

ORDERING REPAIR PARTS

In order to obtain smooth and rapid service when ordering repair parts,
 please give full attention to the following of PART NUMBER.



COMPLETE SET

NO	DESCRIPTION	QTY
A	LEFT SIDE	01
B	LOWER SHELF	01
C	CENTRE VERTICAL	03
D	CENTRE SHELF	01
E	CENTRE VERTICAL	01
F	UPPER SHELF	01

NO	DESCRIPTION	QTY
G	HORIZONTAL SHELF	01
H	RIGHT SIDE	01
I	BACK	02
J	LEFT SIDE DOOR	01
K	RIGHT SIDE DOOR	02