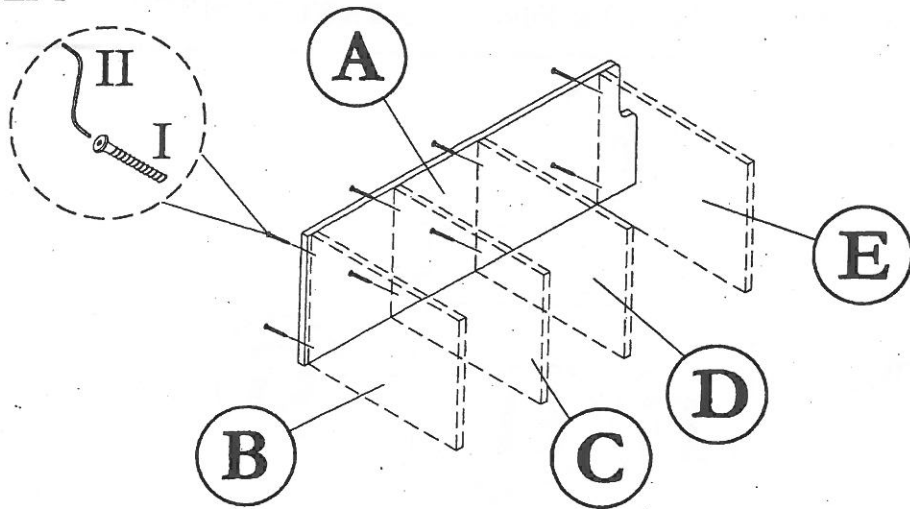


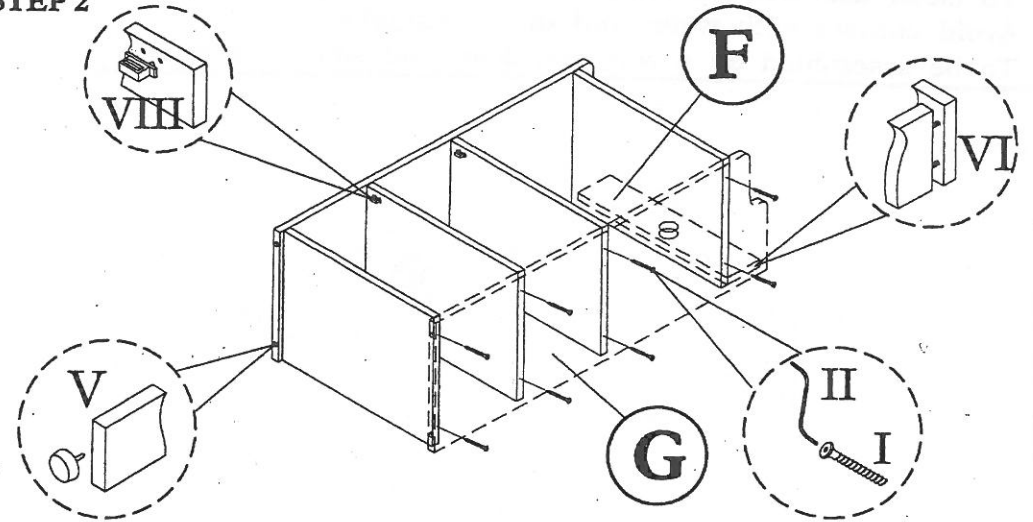
ASSEMBLY INSTRUCTION
MODEL : BC 13 / BOOKCASE

Before you begin, please follow assembly instruction carefully.
 Then follow them step by step.

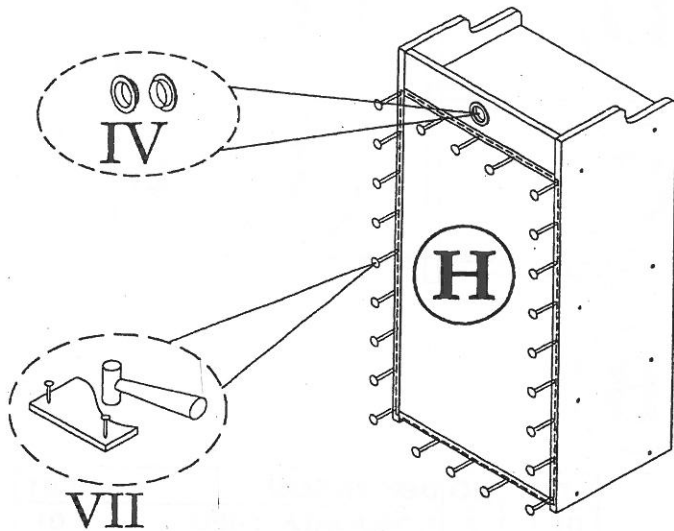
STEP 1



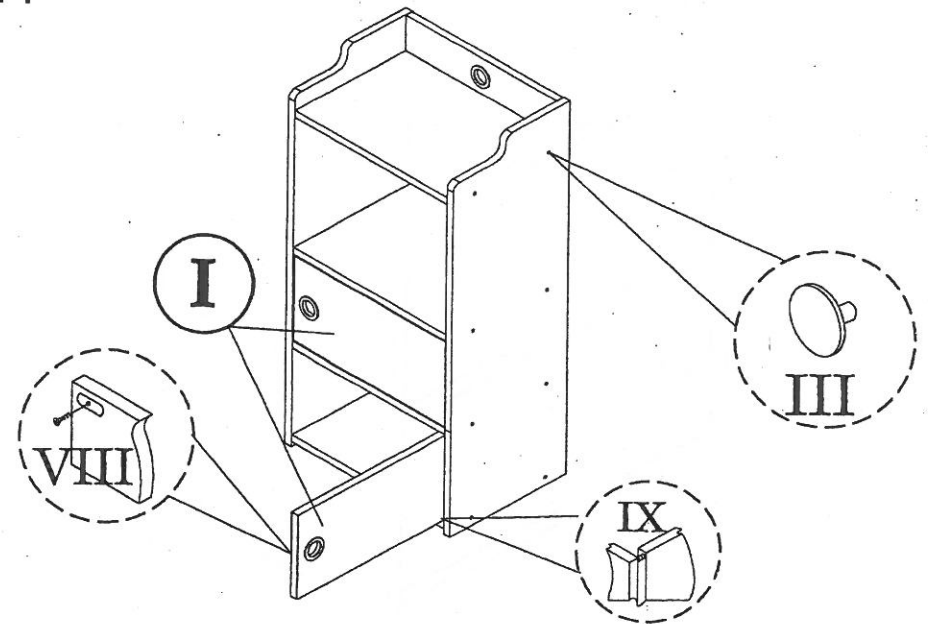
STEP 2



STEP 3



STEP 4



HARDWARE LIST

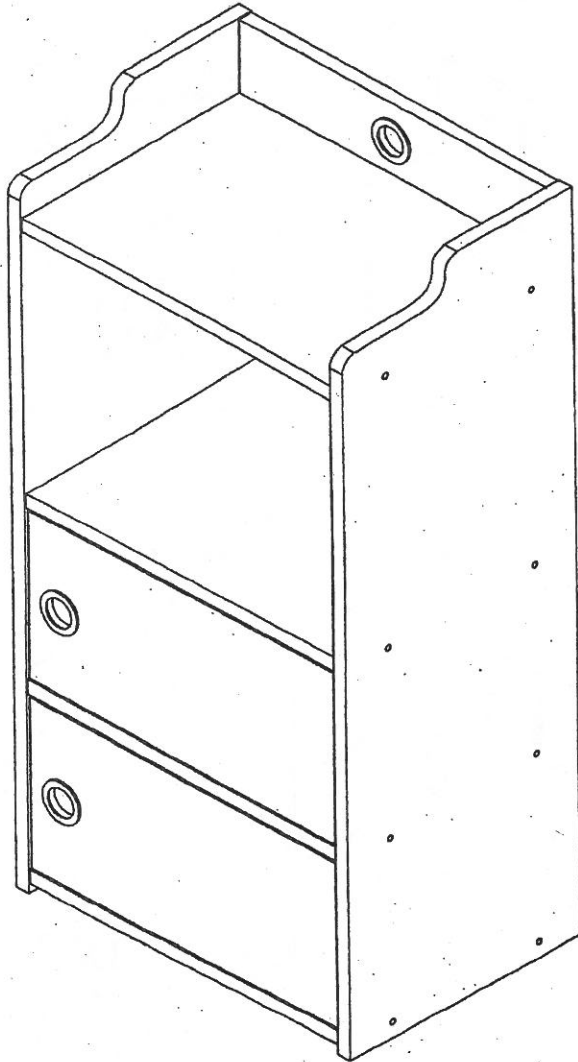
NO	DESCRIPTION	QTY
I	JCBCW SCREW M6 x 45	16pcs
II	M4 ALLEN KEY	1pc

III	CAP SMALL	16pcs
IV	HANDLE	3sets
V	PVC NAIL WITH PIN	4pcs
VI	M8 x 30 PLASTIC DOWEL	4pcs

VII	NAIL	40pcs
VIII	MAGNET WITH PLATE & SCREW	2sets
IX	SPRING DOOR SUPPORT	4pcs

CAUTION:

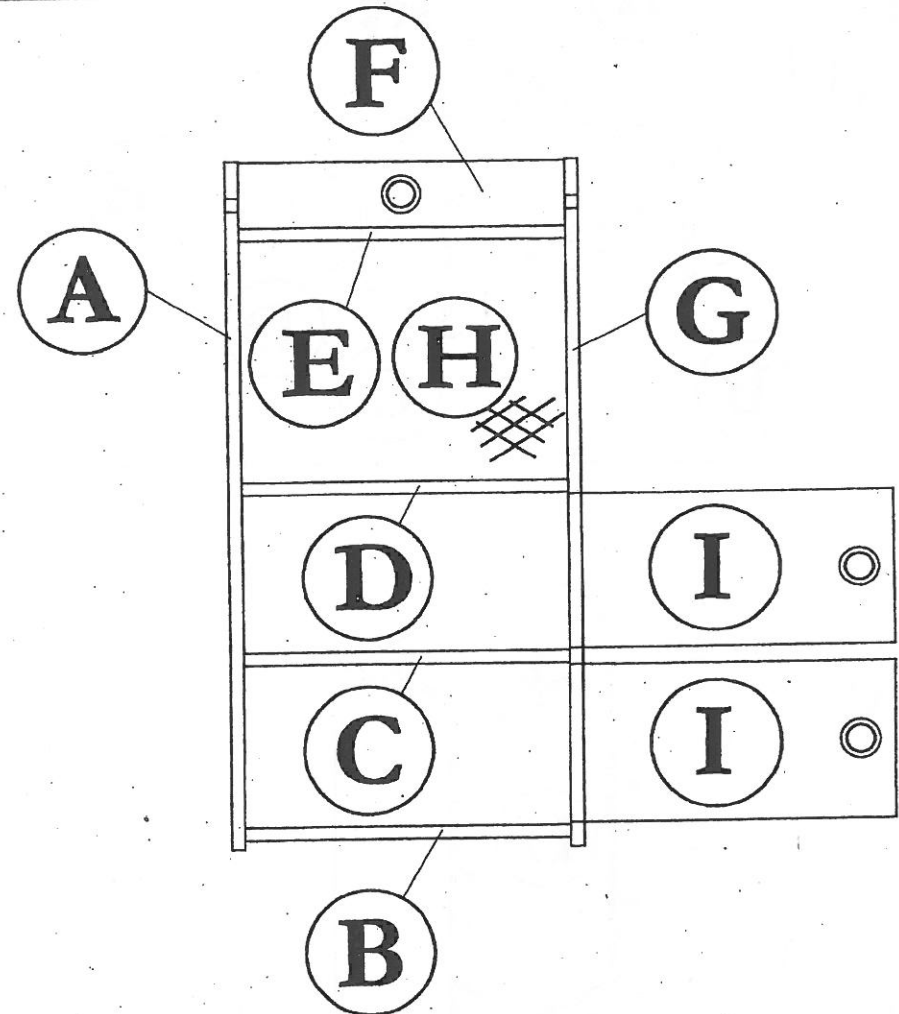
To clean use soft, dry cloth. Do not use detergent or chemicals
Avoid contact with water and direct sunlight.
To be assembled on a soft, dry, clean and smooth surface.



COMPLETE SET

ORDERING REPAIR PARTS

In order to obtain smooth and rapid service when ordering repair parts,
please give full attention to the following of PART NUMBER.



NO	DESCRIPTION	QTY
A	LEFT SIDE	01
B	LOWER SHELF	01
C	CENTRE SHELF	01
D	CENTRE SHELF	01
E	UPPER SHELF	01

NO	DESCRIPTION	QTY
F	HORIZONTAL SHELF	01
G	RIGHT SIDE	01
H	BACK	02
I	DOOR	02