

MODEL : BBT 6503 HB (W1485 x H610 x T65mm)

# ASSEMBLY INSTRUCTIONS

Read this instruction carefully. See hardware and furniture part list for guidance. Be sure all parts are complete, before you assemble. Place all wooden furniture parts on a clean and flat soft surface to prevent from being scratched. Follow the figure to start assembling.

| PART LIST |               |       |
|-----------|---------------|-------|
| ITEM      | DESCRIPTION   | QTY   |
| A         | HEADBOARD     | 1 PC  |
| B         | SUPPORT BOARD | 2 PCS |

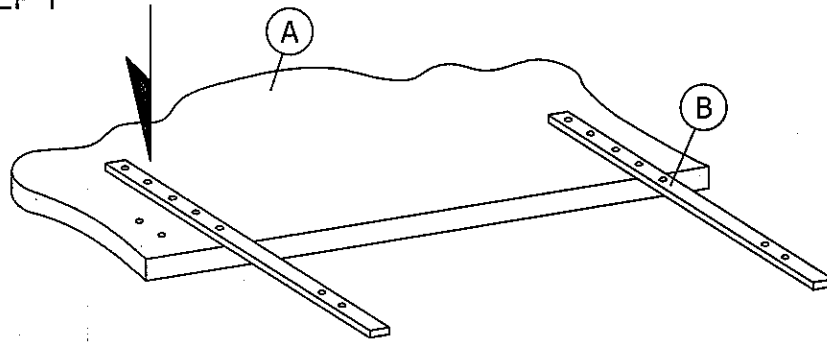
| PART LIST |                     |       |
|-----------|---------------------|-------|
| ITEM      | DESCRIPTION         | QTY   |
| 1         | JCBB BOLT M8 x 45mm | 4 PCS |
| 2         | M8 FLAT WASHER      | 4 PCS |
| 3         | M5 ALLEN KEY        | 1 PC  |

**CAUTIONS :**

1. Do not FULLY - TIGHTEN the nut or nut bolt until all nut or bolt is ready assembled.
2. Do not OVER - TIGHTEN the nut or bolt to avoid causing damages to the thread.
3. Keep all hardware parts out of reach of children.

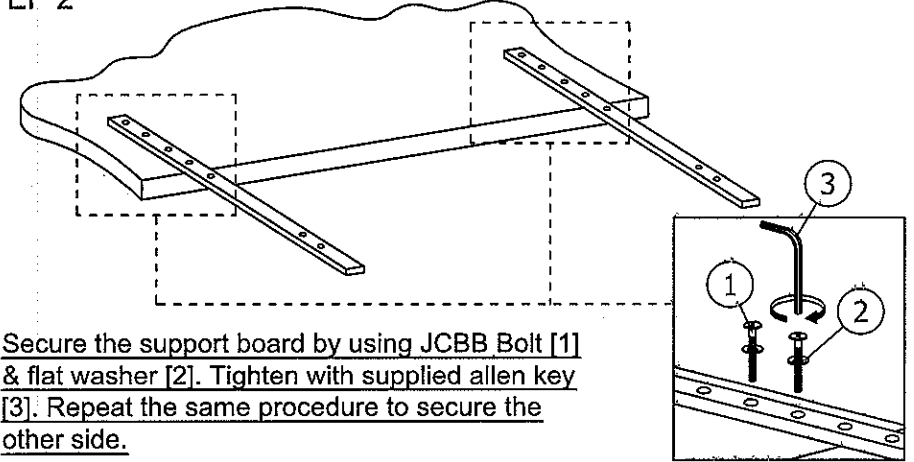
**NOTE :** THE LIST AND QUANTITY SHOWN ARE FOR 1 UNIT ASSEMBLY.

## STEP 1



Align support board fixing holes over headboard fixing holes according to your desire height.

## STEP 2



Secure the support board by using JCBB Bolt [1] & flat washer [2]. Tighten with supplied allen key [3]. Repeat the same procedure to secure the other side.

## STEP 3

Your headboard assembly is complete.  
Note: Hardware may loose over time. Periodically check that all connections are tight.

