

Read this instruction carefully. See hardware and furniture part list for guidance. Be sure all parts are complete, before you assemble. Place all wooden furniture parts on a clean and flat soft surface to prevent from being scratched. Follow the figure to start assembling.

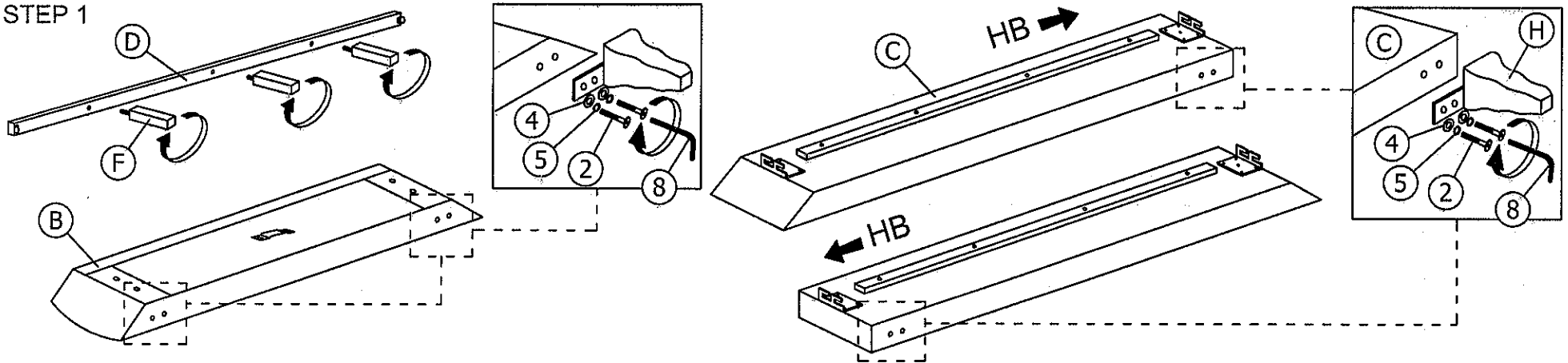
CAUTIONS : 1. Do not FULLY - TIGHTEN the nut or nut bolt until all nut or bolt is ready assembled.
 2. Do not OVER - TIGHTEN the nut or bolt to avoid causing damages to the thread.
 3. Keep all hardware parts out of reach of children.

NOTE : THE LIST AND QUANTITY SHOWN ARE FOR 1 UNIT ASSEMBLY.

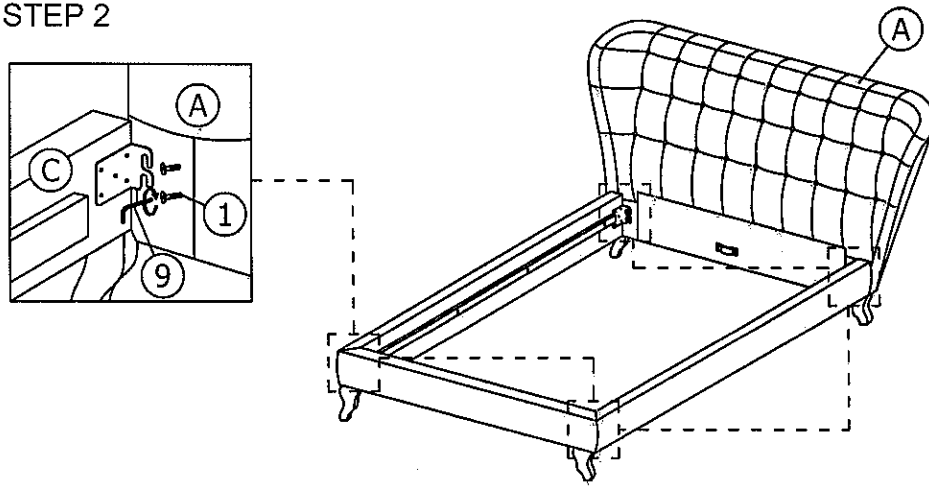
PART LIST		
ITEM	DESCRIPTION	QTY
A	HEADBOARD	1 PC
B	FOOTBOARD	1 PC
C	SIDE RAIL	2 PCS
D	CENTER RAIL	1 PC
E	CENTER SUPPORT	2 PCS
F	CENTER SUPPORT LEG	3 PCS
G	BED SLAT	26 PCS
H	BED LEG (L+R)	4 PCS

PART LIST		
ITEM	DESCRIPTION	QTY
1	JCBB BOLT M8 x 30mm	8 PCS
2	JCBC BOLT M6 x 20mm	8 PCS
3	WOOD SCREW M3.5 x 16mm	8 PCS
4	M6 FLAT WASHER	8 PCS
5	M6 SPRING WASHER	8 PCS
6	BED SLAT SIDE FITTER	26 PCS
7	BED SLAT CENTER FITTER	13 PCS
8	M4 ALLEN KEY	1 PC
9	M5 ALLEN KEY	1 PC

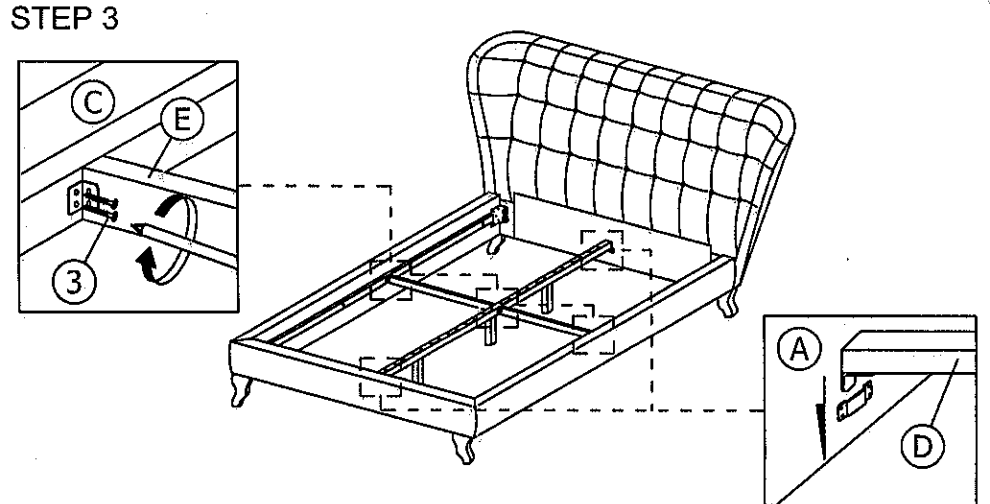
STEP 1



STEP 2

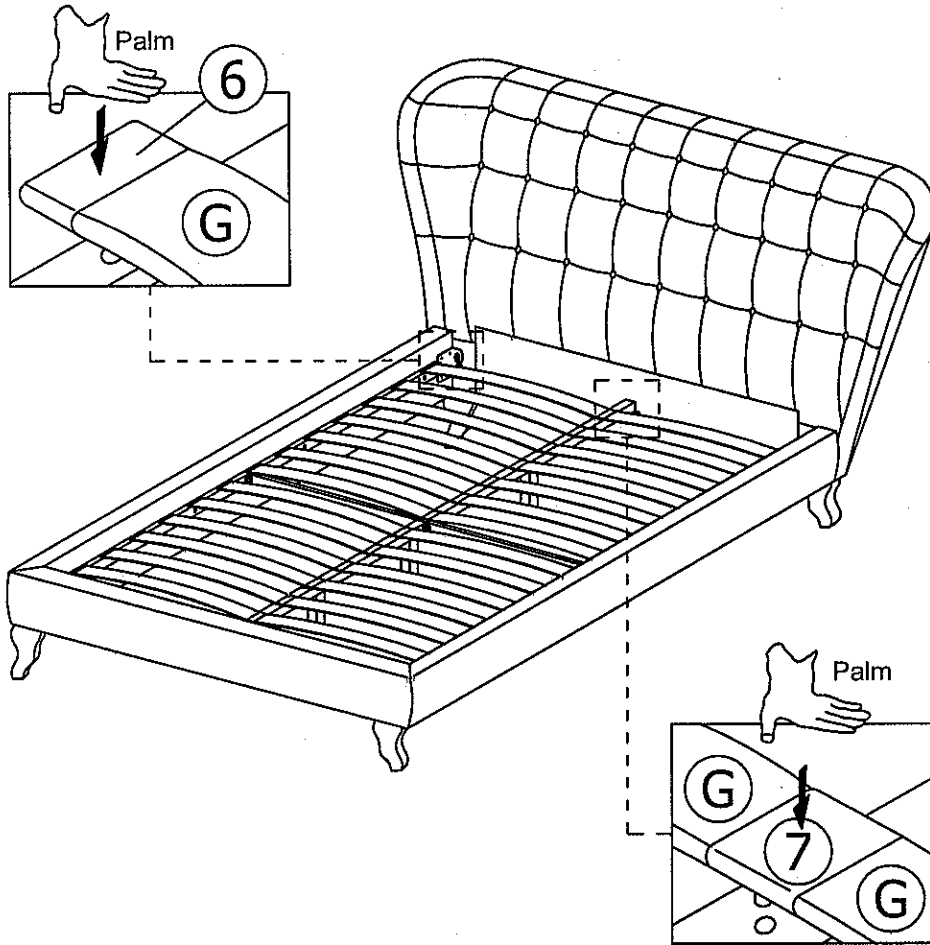


STEP 3

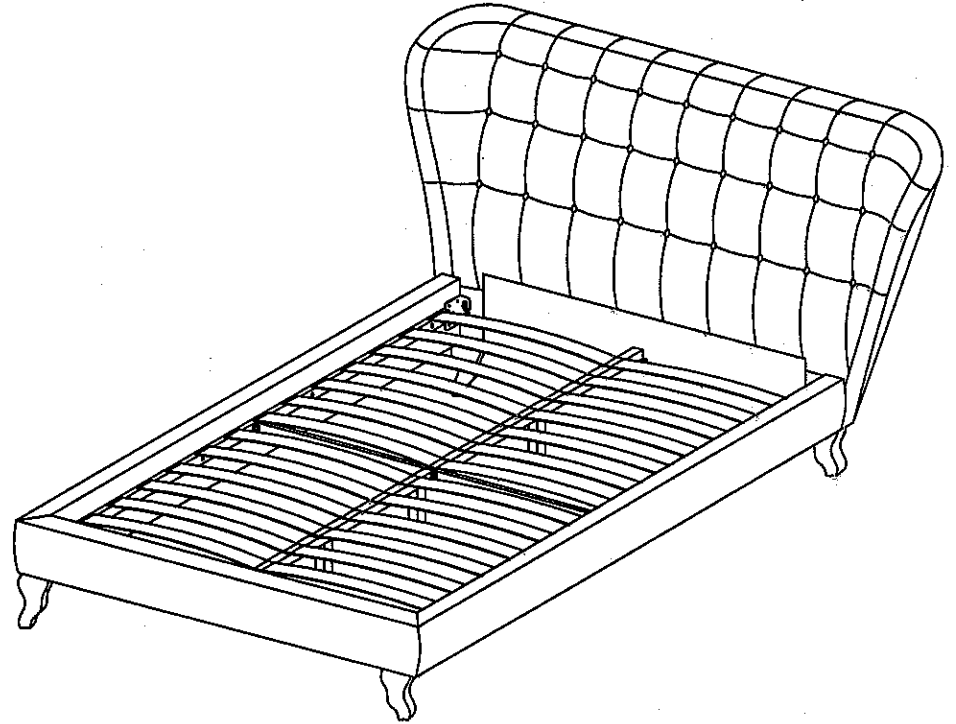


ASSEMBLY INSTRUCTIONS

STEP 4



STEP 5



* When moving the bed position, the center support legs must be adjust to be straight to avoid any broken problem.