

Read this instruction carefully. See hardware and furniture part list for guidance. Be sure all parts are complete, before you assemble. Place all wooden furniture parts on a clean and flat soft surface to prevent from being scratched. Follow the figure to start assembling.

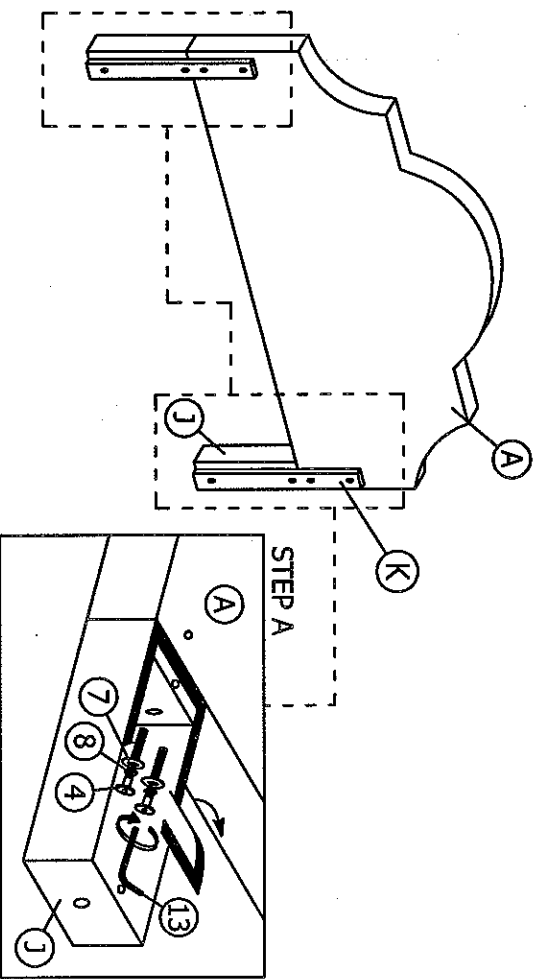
- CAUTIONS :**
1. Do not FULLY - TIGHTEN the nut or nut bolt until all nut or bolt is ready assembled.
 2. Do not OVER - TIGHTEN the nut or bolt to avoid causing damages to the thread.
 3. Keep all hardware parts out of reach of children.

NOTE : THE LIST AND QUANTITY SHOWN ARE FOR 1 UNIT ASSEMBLY.

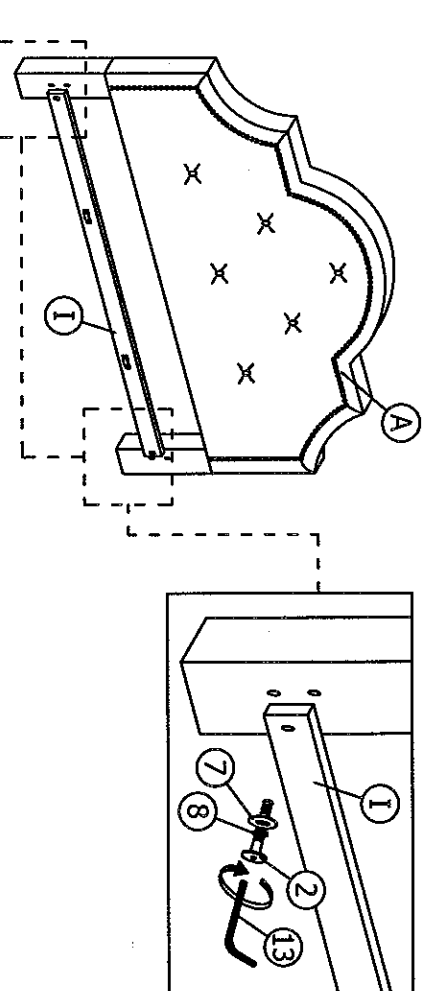
ITEM	PART LIST DESCRIPTION	QTY
A	HEADBOARD	1 PC
B	FOOTBOARD	1 PC
C	SIDE RAIL	2 PCS
D	CENTER RAIL	2 PCS
E	CENTER SUPPORT LEG	6 PCS
F	BED SLAT	39 PCS
G	BED LEG	4 PCS
H	CENTER SUPPORT	3 PCS
I	HEADBOARD SUPPORT RAIL	1 PC
J	HEADBOARD BOX (L/R)	2 PCS
K	HEADBOARD SUPPORT	2 PCS

ITEM	PART LIST DESCRIPTION	QTY
1	JCB8 BOLT M8 x 30mm	8 PCS
2	JCB8 BOLT M8 x 40mm	2 PCS
3	JCB8 BOLT M6 x 40mm	8 PCS
4	JCB8 BOLT M8 x 80mm	8 PCS
5	M6 Flat Washer	8 PCS
6	M6 Spring Washer	8 PCS
7	M6 Flat Washer	6 PCS
8	M6 Spring Washer	6 PCS
9	WOOD SCREW M3.5 x 16mm	12 PCS
10	BED SLAT SIDE FITTER	26 PCS
11	BED SLAT CENTER FITTER	26 PCS
12	M4 ALLEN KEY (Ball Shape)	1 PC
13	M5 ALLEN KEY (Ball Shape)	1 PC

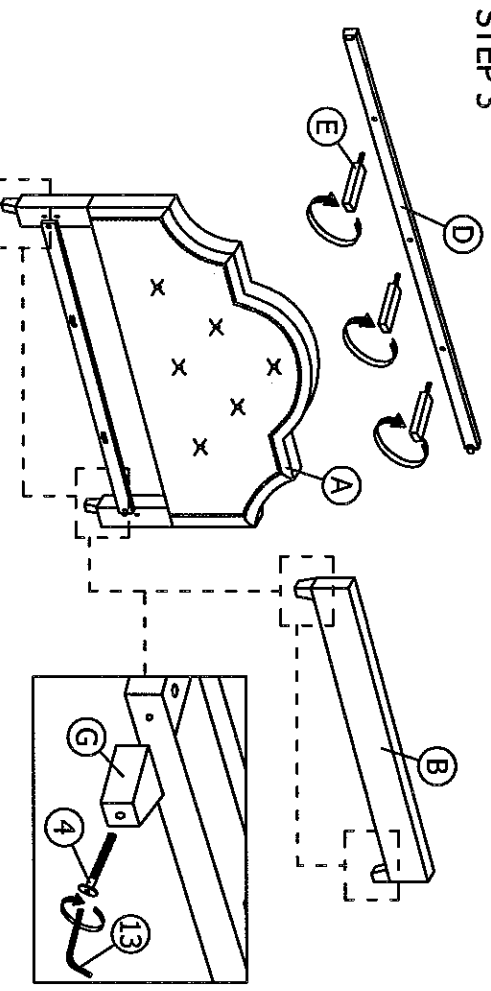
STEP 1



STEP 2

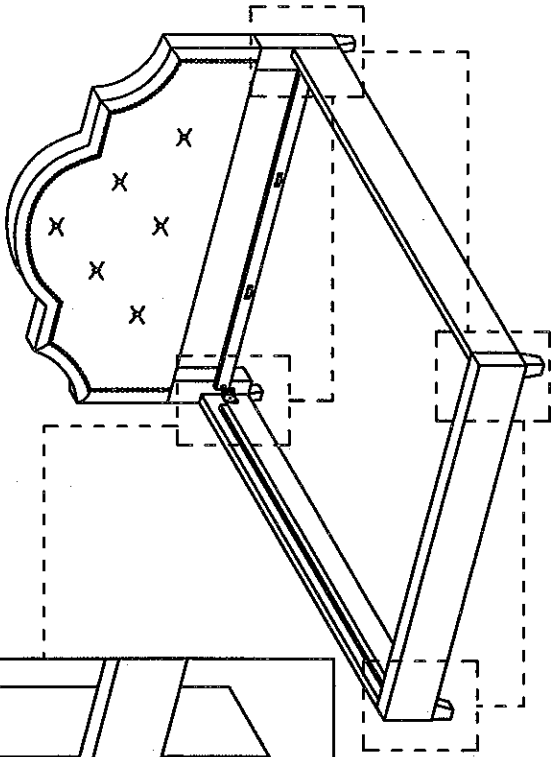
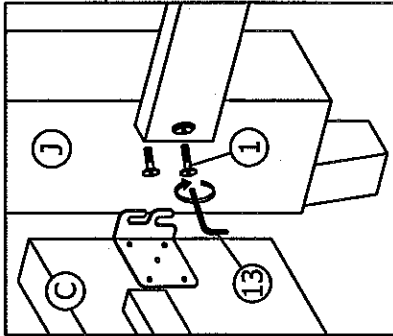


STEP 3

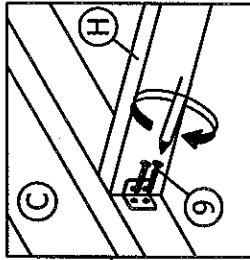
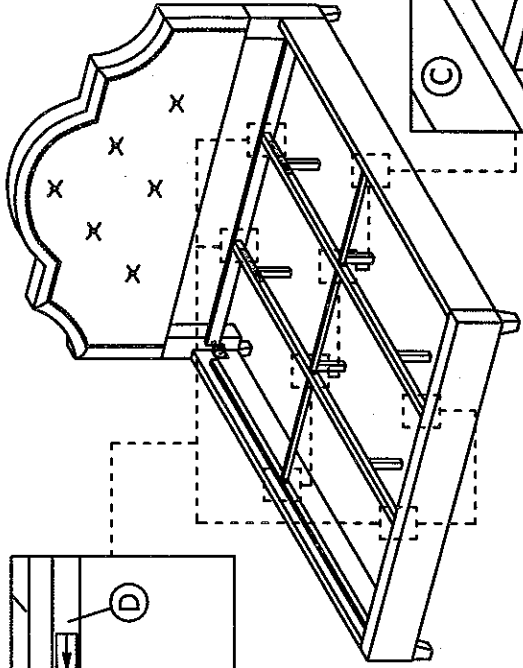
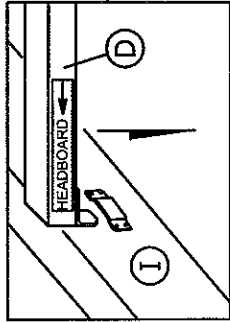


ASSEMBLY INSTRUCTIONS

STEP 4

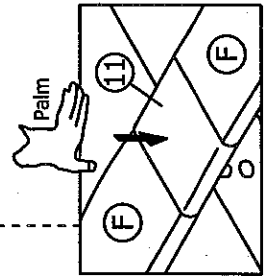
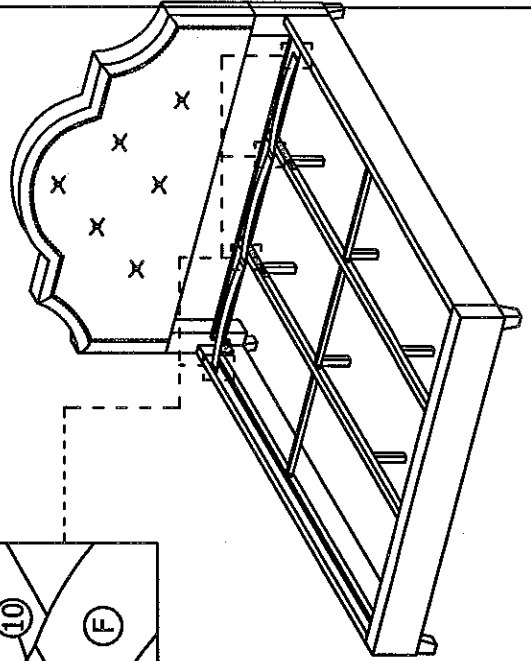
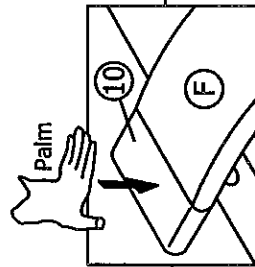


STEP 5

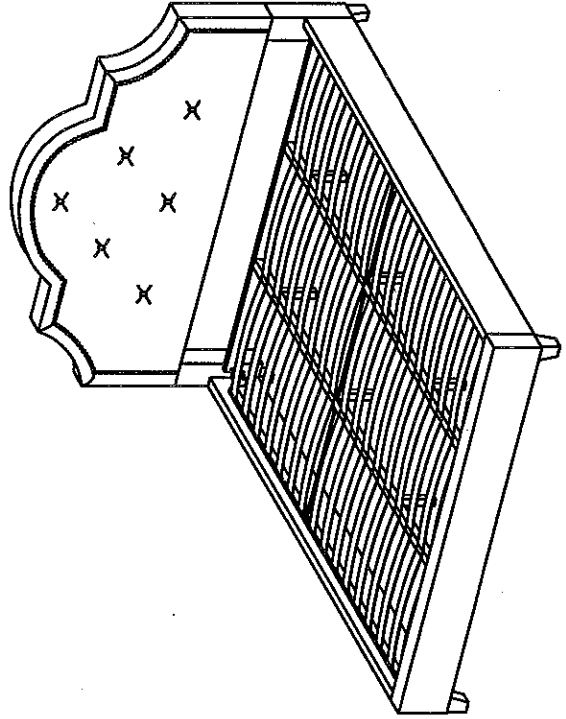


Note: Make sure the sticker
"-> HEADBOARD" faced to
headboard [A]

STEP 6



STEP 7



* When moving the bed position, the center support legs
must be adjust to be straight to avoid any broken problem.