

ASSEMBLY INSTRUCTIONS

Read this instruction carefully. See hardware and furniture part list for guidance. Be sure all parts are complete, before you assemble. Place all wooden furniture parts on a clean and flat soft surface to prevent from being scratched. Follow the figure to start assembling.

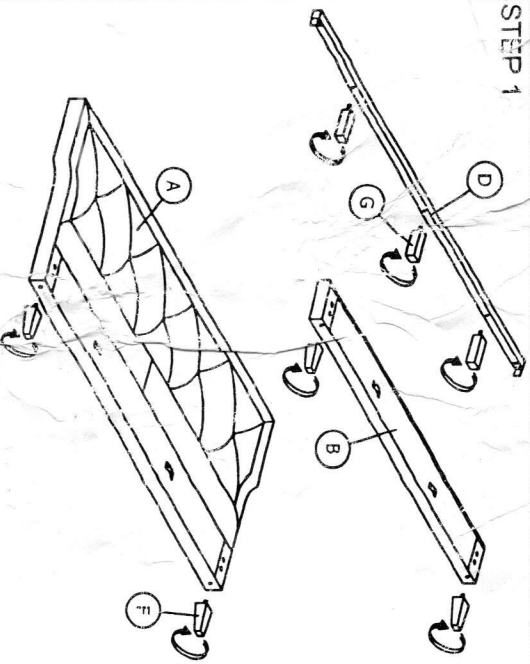
- CAUTIONS :**
1. Do not FULLY - TIGHTEN the nut or nut bolt until all nut or bolt is ready assembled.
 2. Do not OVER - TIGHTEN the nut or bolt to avoid causing damages to the thread.
 3. Keep all hardware parts out of reach of children.

NOTE : THE LIST AND QUANTITY SHOWN ARE FOR 1 UNIT ASSEMBLY.

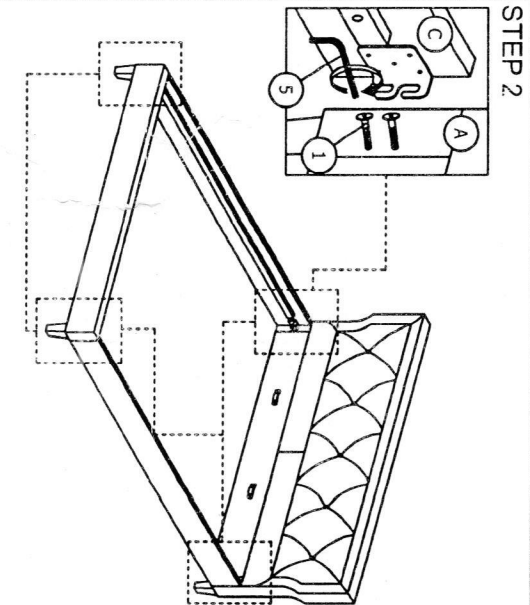
ITEM	DESCRIPTION	QTY
A	HEADBOARD	1 PC
B	FOOTBOARD	1 PC
C	SIDE RAIL	2 PCS
D	CENTER RAIL	2 PCS
E	CENTER SUPPORT	3 PCS
F	BED LEG	4 PCS
G	CENTER SUPPORT LEG	6 PCS
H	BED SLAT	39 PCS

ITEM	DESCRIPTION
1	JCB8 BOLT M8 x 30mm
2	WOOD SCREW M3.5 x 16mm
3	BED SLAT SIDE FITTER
4	BED SLAT CENTER FITTER
5	M5 ALLEN KEY

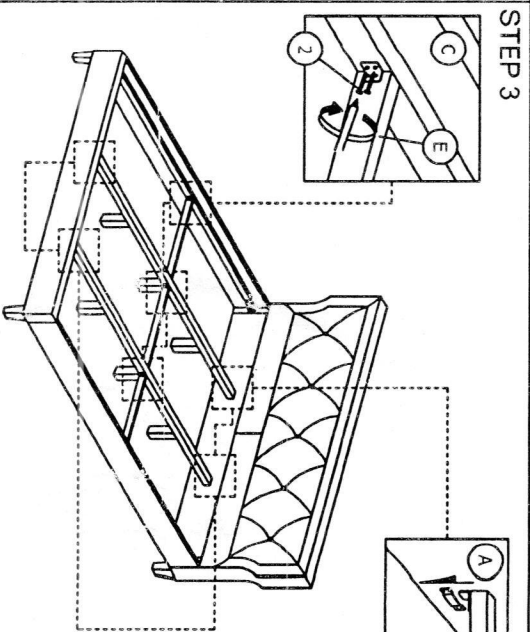
STEP 1



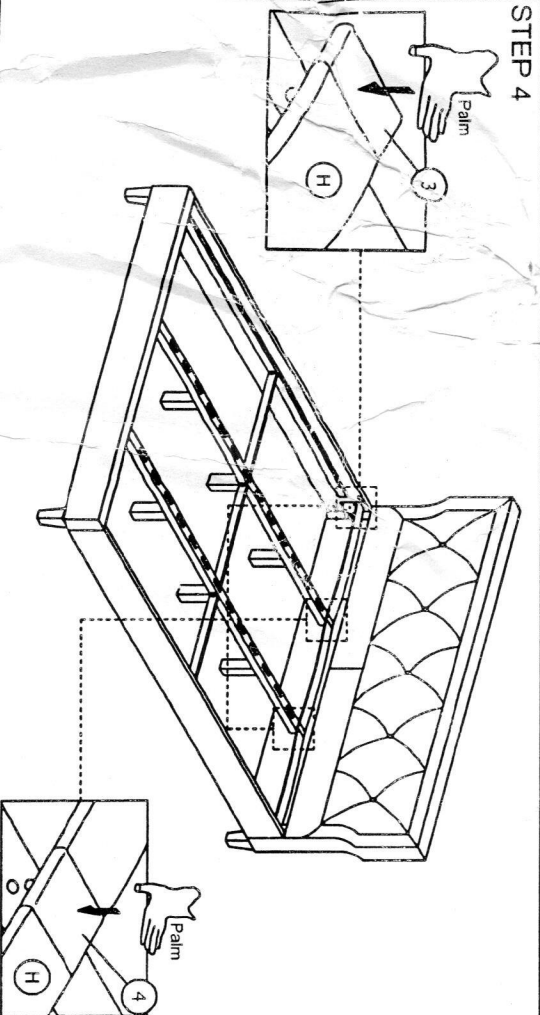
STEP 2



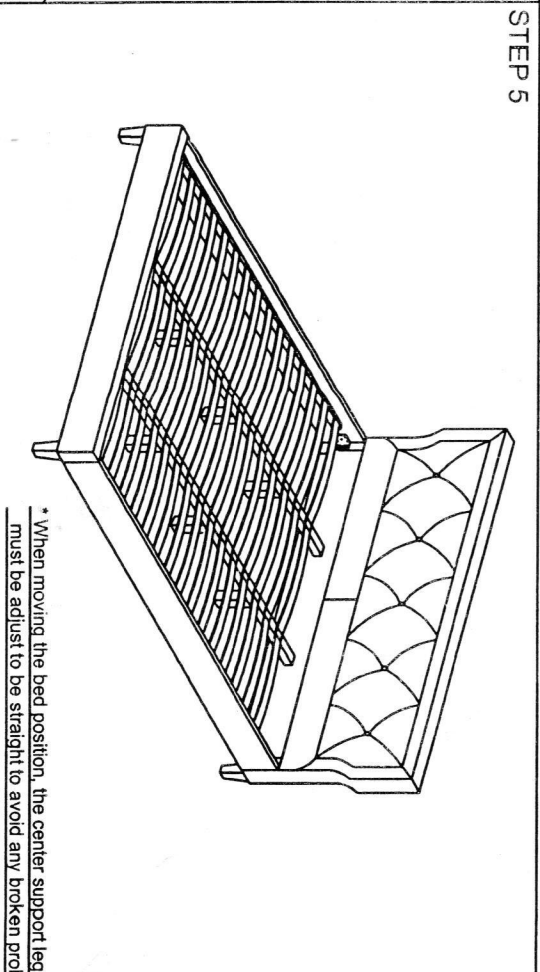
STEP 3



STEP 4



STEP 5



* When moving the bed position, the center support legs must be adjust to be straight to avoid any broken prob