

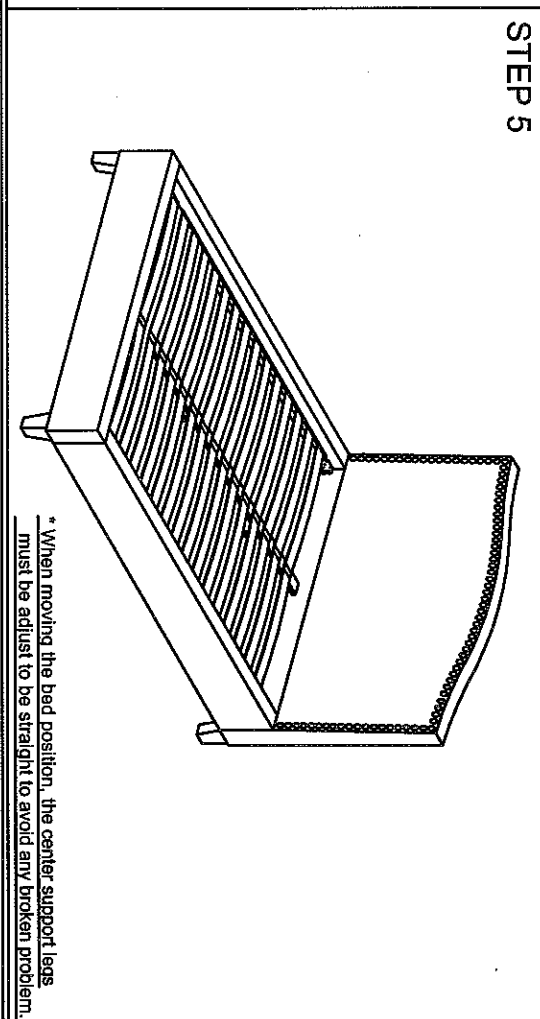
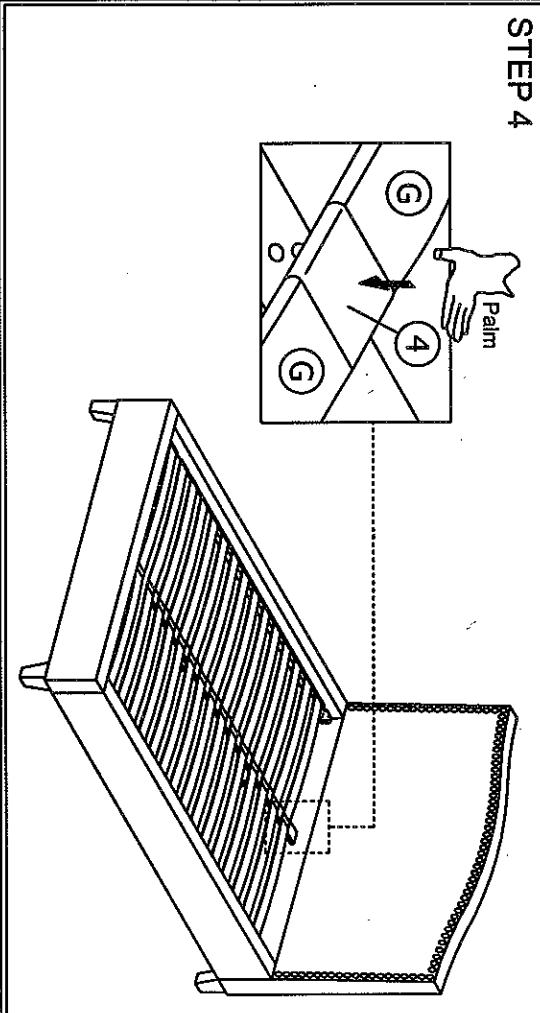
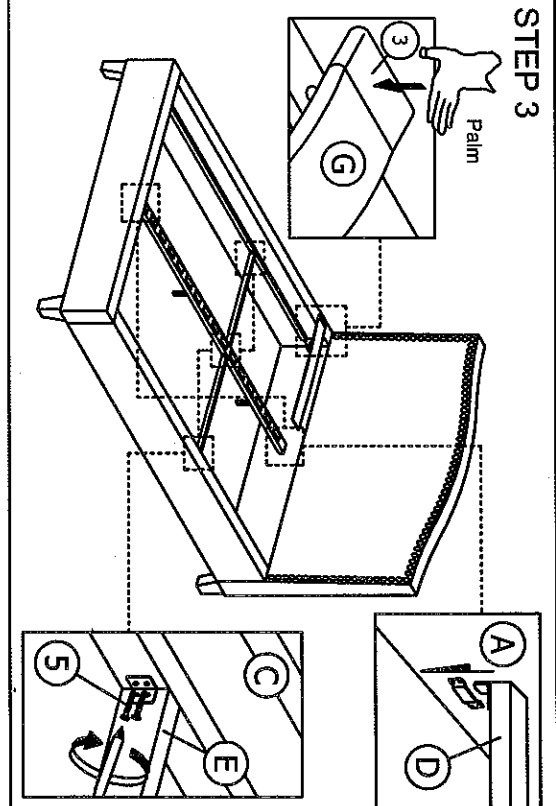
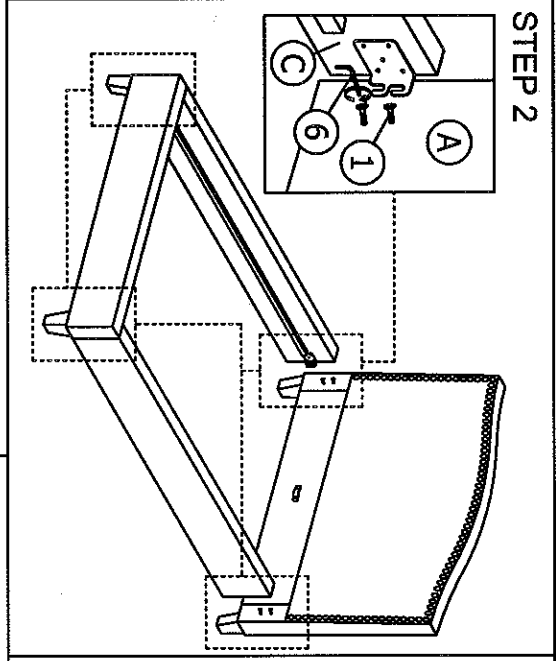
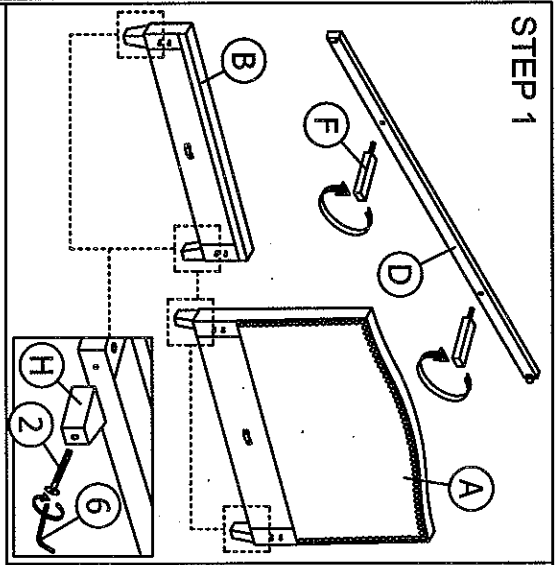
Read this instruction carefully. See hardware and furniture part list for guidance. Be sure all parts are complete, before you assemble. Place all wooden furniture parts on a clean and flat soft surface to prevent from being scratched. Follow the figure to start assembling.

CAUTIONS : 1. Do not FULLY - TIGHTEN the nut or nut bolt until all nut or bolt is ready assembled.
 2. Do not OVER - TIGHTEN the nut or bolt to avoid causing damages to the thread.
 3. Keep all hardware parts out of reach of children.

NOTE : THE LIST AND QUANTITY SHOWN ARE FOR 1 UNIT ASSEMBLY.

| ITEM | DESCRIPTION | QTY |
|------|--------------------|--------|
| A | HEADBOARD | 1 PC |
| B | FOOTBOARD | 1 PC |
| C | SIDE RAIL | 2 PCS |
| D | CENTER RAIL | 1 PC |
| E | CENTER SUPPORT | 2 PCS |
| F | CENTER SUPPORT LEG | 2 PCS |
| G | BED SLAT | 26 PCS |
| H | BED LEG | 4 PCS |

| ITEM | DESCRIPTION | QTY |
|------|------------------------|--------|
| 1 | JCBB BOLT M8 x 30mm | 8 PCS |
| 2 | JCBB BOLT M8 x 70mm | 4 PCS |
| 3 | BED SLAT SIDE FITTER | 26 PCS |
| 4 | BED SLAT CENTER FITTER | 13 PCS |
| 5 | WOOD SCREW M3.5 x 16mm | 8 PCS |
| 6 | M5 ALLEN KEY | 1 PC |



* When moving the bed position, the center support legs must be adjust to be straight to avoid any broken problem.