

MODEL : BBT5218 BAR BENCH





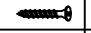

# ASSEMBLY INSTRUCTIONS

Read this instruction carefully. See hardware and furniture part list for guidance. Be sure all parts are complete, before you assemble. Place all wooden furniture parts on a clean and flat soft surface to prevent from being scratched. Follow the figure to start assembling.

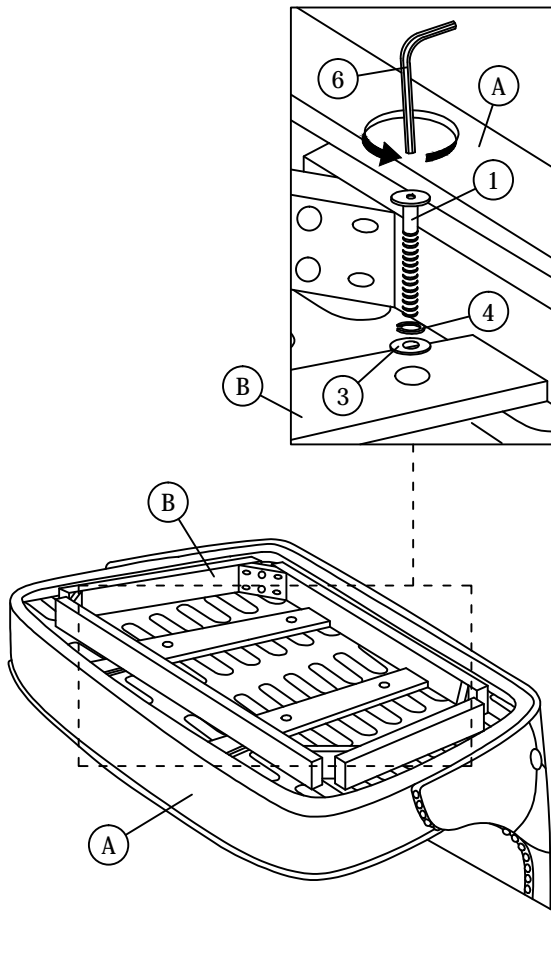
**CAUTIONS :** 1. Do not FULLY - TIGHTEN the nut or nut bolt until all nut or bolt is ready assembled.  
 2. Do not OVER - TIGHTEN the nut or bolt to avoid causing damages to the thread.  
 3. Keep all hardware parts out of reach of children.

NOTE : THE LIST AND QUANTITY SHOWN ARE FOR 1 UNIT ASSEMBLY.

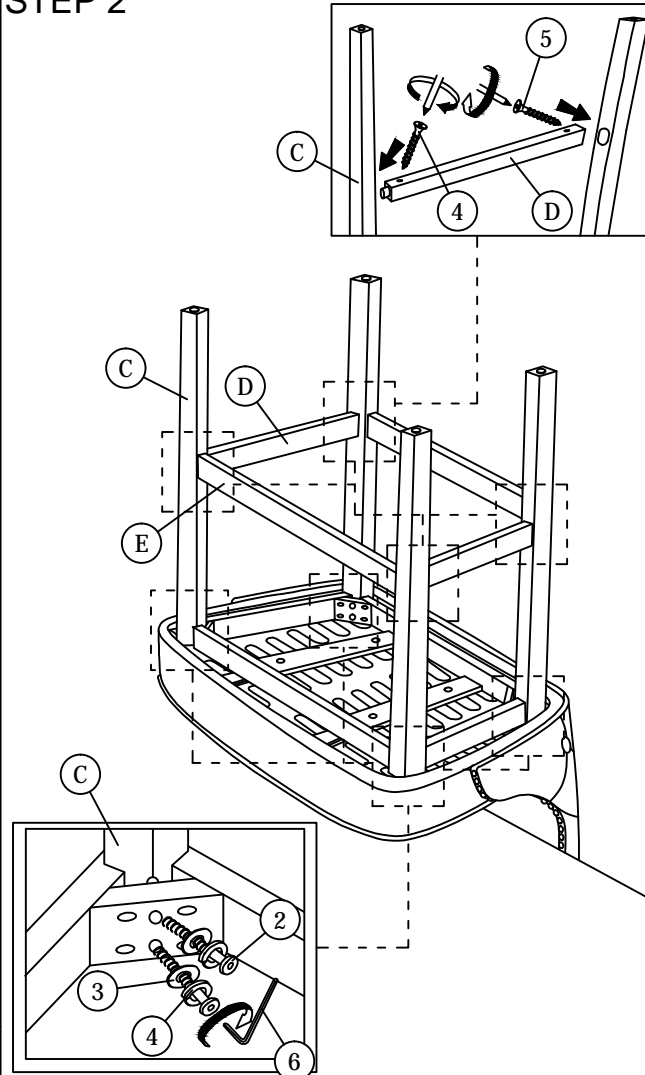
PART LIST		
ITEM	DESCRIPTION	QTY
A	CHAIR FRAME	1 PC
B	BOX SEAT	2 PCS
C	CHAIR LEG	4 PCS
D	SIDE STRETCHER	2 PCS
E	FRONT STRETCHER	2 PCS

PART LIST		
ITEM	DESCRIPTION	QTY
1	JCBC Bolt M6 x 50mm 	4pcs
2	JCBC Bolt M6 x 60mm 	8pcs
3	WOOD SCREW M4 x 32mm 	12pcs
4	M6 FLAT WASHER 	12pcs
5	M6 SPRING WASHER 	8pcs
6	M4 ALLEN KEY (BALL SHAPE) 	1pc

### STEP 1



### STEP 2



### STEP 3

