



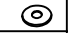




Read this instruction carefully. See hardware and furniture part list for guidance. Be sure all parts are complete, before you assemble. Place all wooden furniture parts on a clean and flat soft surface to prevent from being scratched. Follow the figure to start assembling.

CAUTIONS :

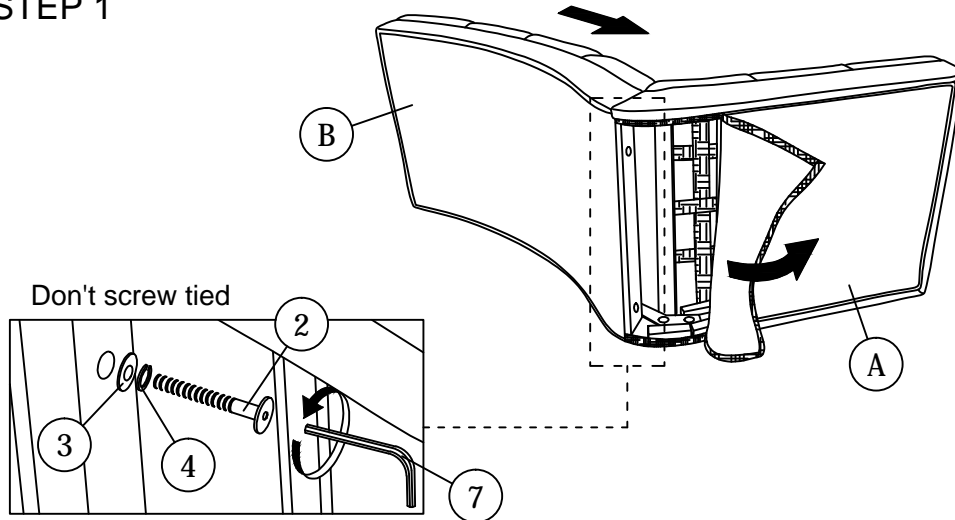
1. Do not FULLY - TIGHTEN the nut or nut bolt until all nut or bolt is ready assembled.
2. Do not OVER - TIGHTEN the nut or bolt to avoid causing damages to the thread.
3. Keep all hardware parts out of reach of children.

NOTE : THE LIST AND QUANTITY SHOWN ARE FOR 1 UNIT ASSEMBLY.
Tool needed : Screwdriver (not provided).

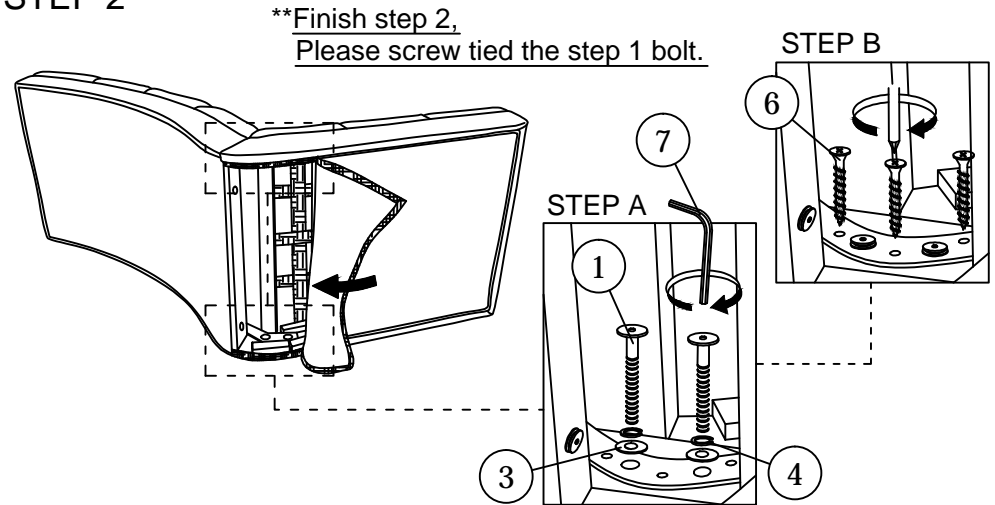
PART LIST		
ITEM	DESCRIPTION	QTY
A	CHAIR BACK	1 PC
B	CHAIR SEAT	1 PC
C	LEG	4 PCS

HARDWARE LIST		
ITEM	DESCRIPTION	QTY
1	JCBB BOLT M8 x 30mm 	4 PCS
2	JCBB BOLT M8 x 50mm 	2 PCS
3	M8 FLAT WASHER 	6 PCS
4	M8 SPRING WASHER 	6 PCS
5	WOOD SCREW M4 x 25mm 	12 PCS
6	WOOD SCREW M4 x 30mm 	6 PCS
7	M5 ALLEN KEY (BALL SHAPE) 	1 PC

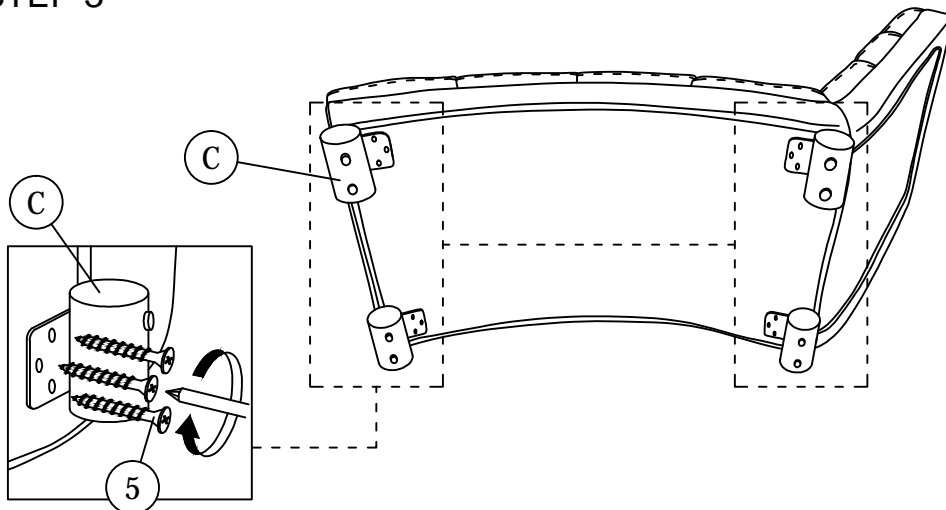
STEP 1



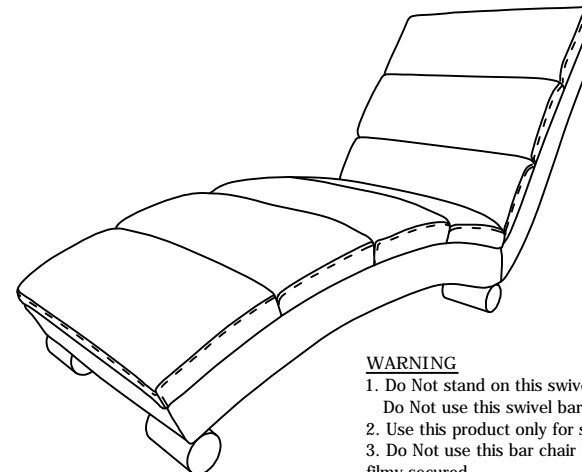
STEP 2



STEP 3



STEP 4



WARNING

1. Do Not stand on this swivel bar chair.
2. Do Not use this swivel bar chair step ladder.
3. Use this product only for seating one person at one time.
4. Do Not use this bar chair unless all bolts, screws and knobs are firmly secured.
5. Failure to follow these warning could result in serious injury.