

MODEL : BBT 5158 CHAIR



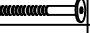

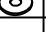

# ASSEMBLY INSTRUCTIONS

Read this instruction carefully. See hardware and furniture part list for guidance. Be sure all parts are complete, before you assemble. Place all wooden furniture parts on a clean and flat soft surface to prevent from being scratched. Follow the figure to start assembling.

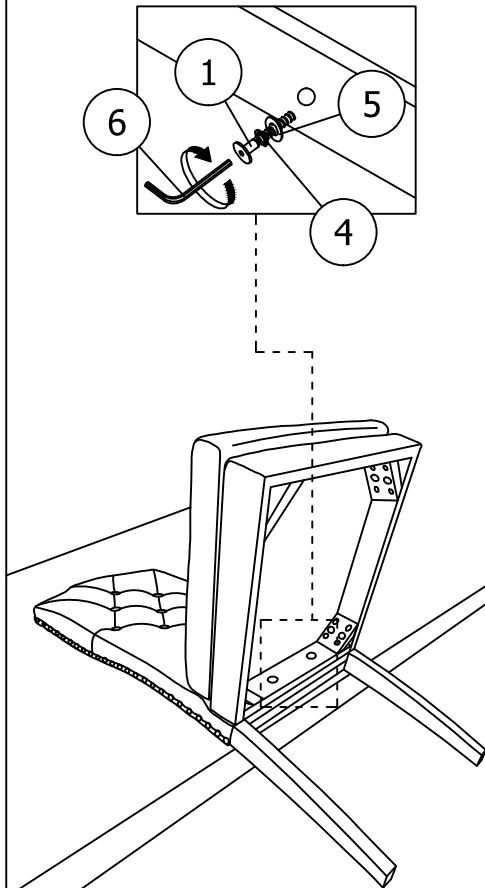
**CAUTIONS :** 1. Do not FULLY - TIGHTEN the nut or nut bolt until all nut or bolt is ready assembled.  
 2. Do not OVER - TIGHTEN the nut or bolt to avoid causing damages to the thread.  
 3. Keep all hardware parts out of reach of children.

NOTE : THE LIST AND QUANTITY SHOWN ARE FOR 1 UNIT ASSEMBLY.

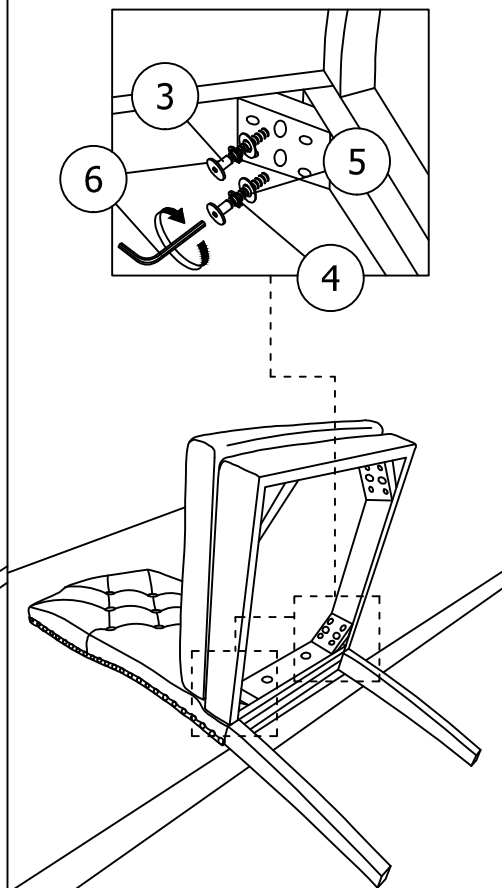
PART LIST		
ITEM	DESCRIPTION	QTY
A	CHAIR BACK	1 PC
B	FRONT LEG	2 PCS
C	CUSHION SEAT FRAME	1 PC

PART LIST		
ITEM	DESCRIPTION	QTY
1	JCBC BOLT M6 x 45mm 	2 PCS
2	JCBC BOLT M6 x 60mm 	4 PCS
3	JCBC BOLT M6 x 80mm 	4 PCS
4	M6 SPRING WASHER 	10 PCS
5	M6 FLAT WASHER 	10 PCS
6	M4 ALLEN KEY (BALL SHAPE) 	1 PC

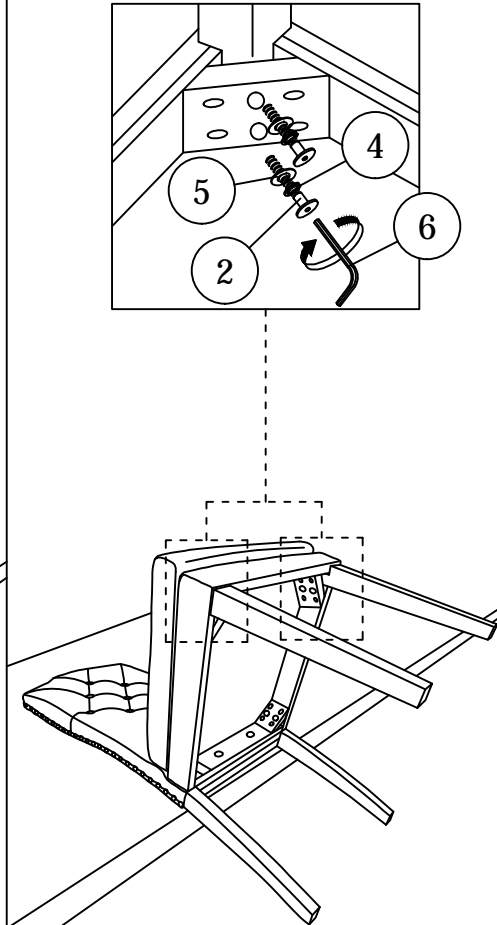
## STEP 1



## STEP 2



## STEP 3



## STEP 4

